

Standard Hoods/Housings

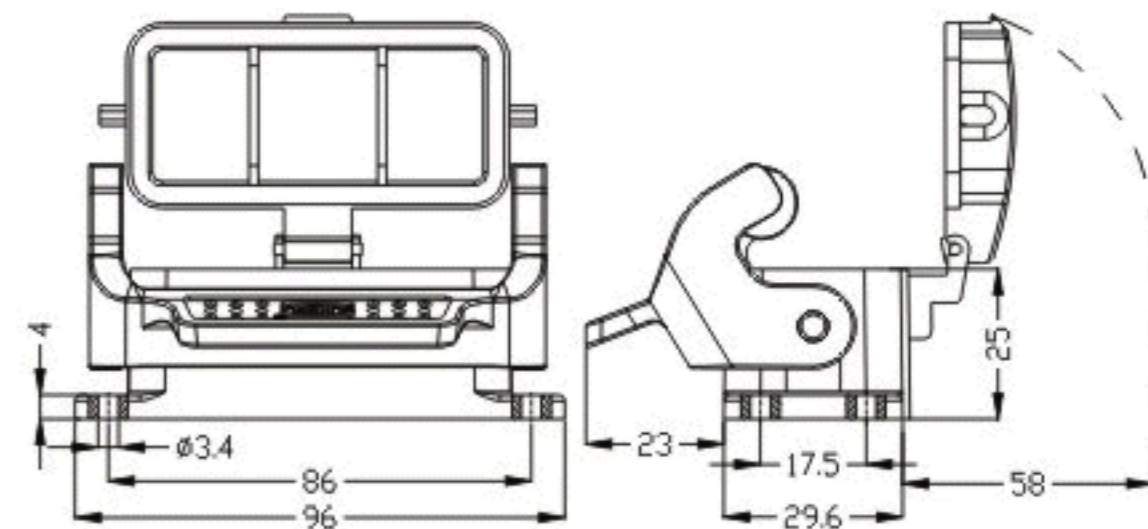
Material	Aluminium die-cast
Color	grey(RAL 7037)
Locking element	
Lever type	(Plastics and wheel)lever
Hoods/housings sealing	NBR
Limiting temperatures	-40~+125°C
Flammability acc.to UL94	VO
Degree of protection acc.to EN60529 for coupled connector	IP 65

Housings



HZW-H16A-ST-CV-1PL

81 271 016 102



Bulkhead mounting