

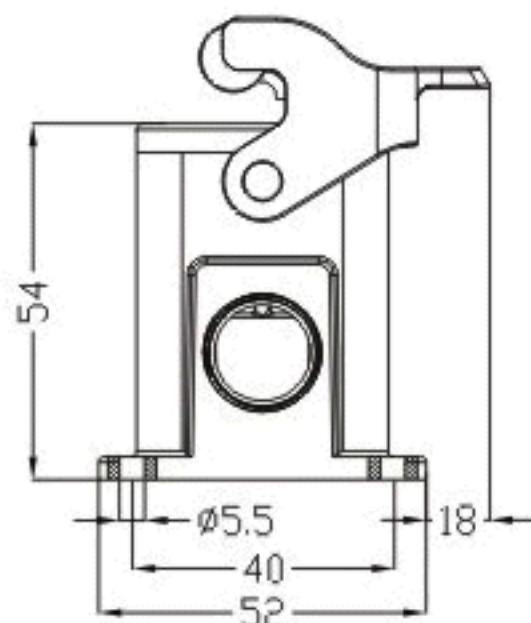
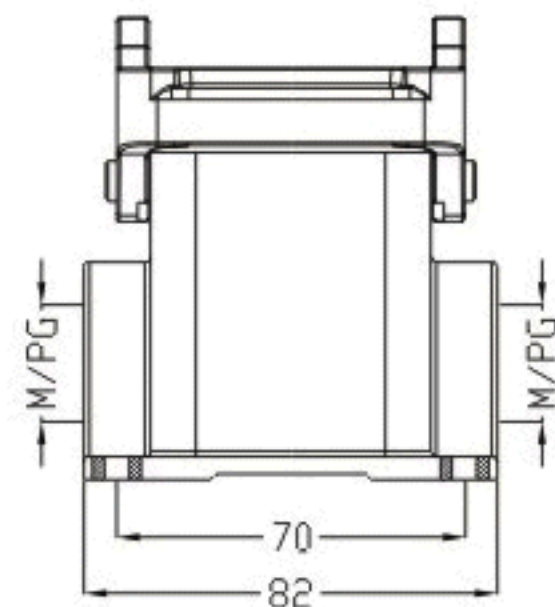
Standard Hoods/Housings

Material	Aluminium die-cast
Color	grey(RAL 7037)
Locking element	
Lever type	(Plastics and wheel)lever
Hoods/housings sealing	NBR
Limiting temperatures	-40~+125°C
Flammability acc.to UL94	VO
Degree of protection acc.to EN60529 for coupled connector	IP 65

'Housings



M20	HZW-H6B-SG-1PL/R-M20	83 321 006 020
2M20	HZW-H6B-SG-1PL/R-2M20	83 321 006 220
M25	HZW-H6B-SG-1PL/R-M25	83 321 006 025
2M25	HZW-H6B-SG-1PL/R-2M25	83 321 006 225
PG13.5	HZW-H6B-SG-1PL/R-PG13.5	83 321 006 013
2PG13.5	HZW-H6B-SG-1PL/R-2PG13.5	83 321 006 213
PG16	HZW-H6B-SG-1PL/R-PG16	83 321 006 016
2PG16	HZW-H6B-SG-1PL/R-2PG16	83 321 006 216
Levers type see technical characteristics on page 48		



Surface mounting