

Size 3A Metal Hoods/Housings

Material	zinc die-cast
Color	grey(RAL 7037)
Locking element	
Lever type	lever
Material	Metal zinc-plated
Hoods/housings sealing	NBR
Limiting temperatures	-40~+125°C
Flammability acc.to UI94	VO
Degree of protection acc.to EN60529 for coupled connector	IP 65

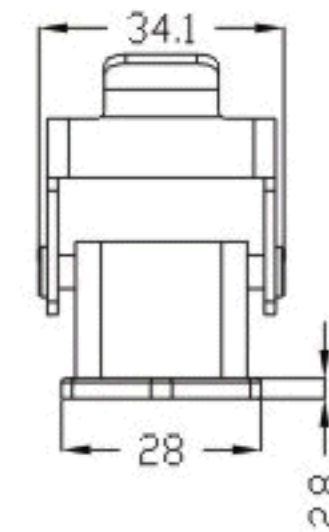
Housings



Bulkhead mounting

HZW-H3A-ST-1PL

81 201 003 311



Panel cut out
22x22 mm

