

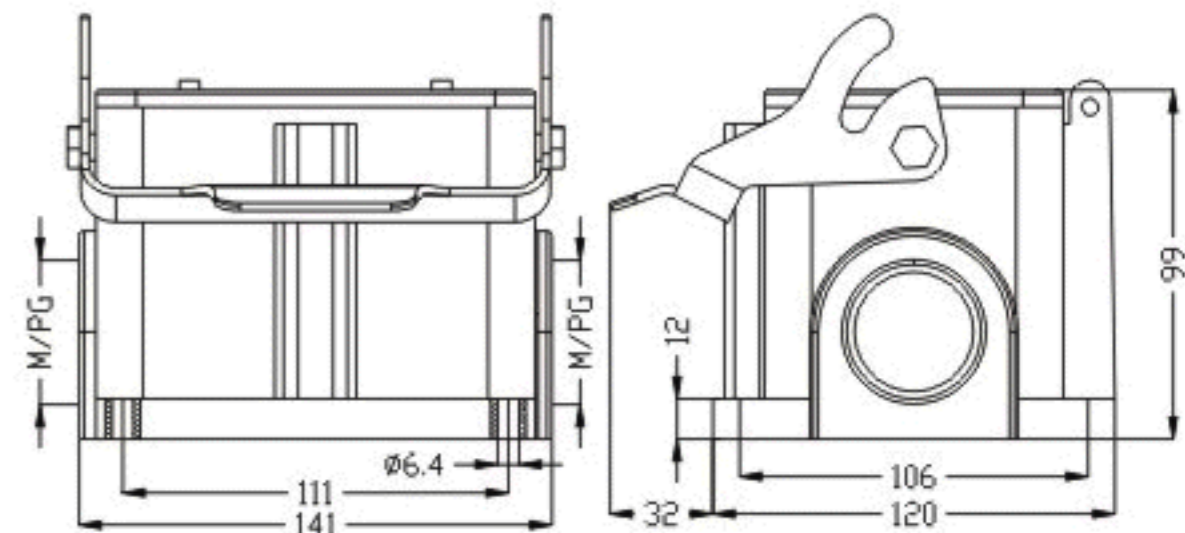
Standard Hoods/Housings

Material	Aluminium die-cast
Color	grey(RAL 7037)
Locking element	
Lever type	(Plastics and wheel)lever
Hoods/housings sealing	NBR
Limiting temperatures	-40~+125°C
Flammability acc.to UL94	VO
Degree of protection acc.to EN60529 for coupled connector	IP 65

Housings



M40	HZW-H48B-SG-1PL-M40	81 326 048 140
2M40	HZW-H48B-SG-1PL-2M40	81 326 048 240
PG29	HZW-H48B-SG-1PL-PG29	81 326 048 129
2PG29	HZW-H48B-SG-1PL-2PG29	81 326 048 229
PG36	HZW-H48B-SG-1PL-PG36	81 326 048 136
2PG36	HZW-H48B-SG-1PL-2PG36	81 326 048 236



Surface mounting