

Standard Hoods/Housings

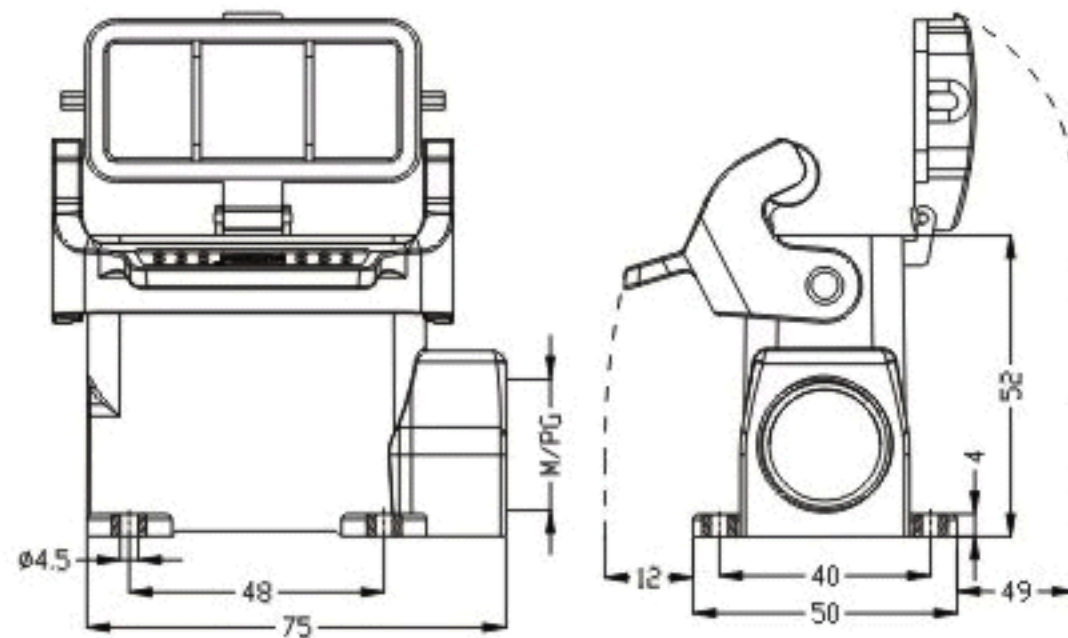
Material	Aluminium die-cast
Color	grey(RAL 7037)
Locking element	
Lever type	(Plastics and wheel)lever
Hoods/housings sealing	NBR
Limiting temperatures	-40~+125°C
Flammability acc.to UL94	VO
Degree of protection acc.to EN60529 for coupled connector	IP 65

Housings



With thermo-plastic cover

M20	HZW-H10A-SG-CV-1PL-M20	81 232 010 120
M25	HZW-H10A-SG-CV-1PL-M25	81 232 010 125
2M20	HZW-H10A-SG-CV-1PL-2M20	81 232 010 220
PG16	HZW-H10A-SG-CV-1PL-PG16	81 232 010 116
2PG16	HZW-H10A-SG-CV-1PL-2PG16	81 232 010 216
PG21	HZW-H10A-SG-CV-1PL-PG21	81 232 010 121



Surface mounting