

Standard Hoods/Housings

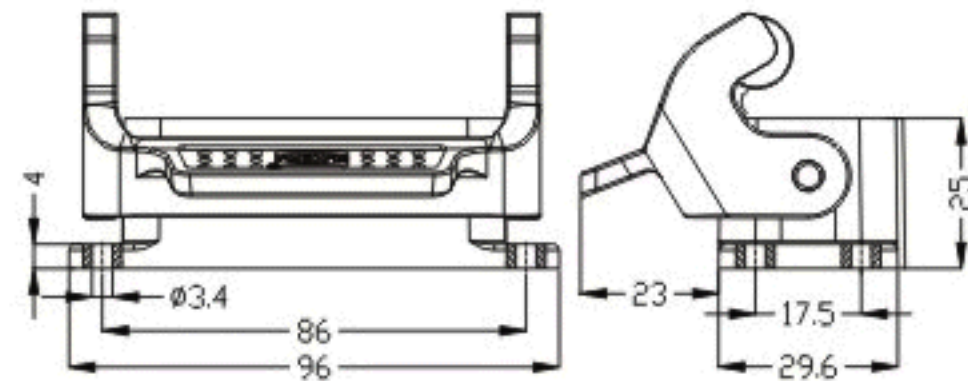
| | |
|---|---------------------------|
| Material | Aluminium die-cast |
| Color | grey(RAL 7037) |
| Locking element | |
| Lever type | (Plastics and wheel)lever |
| Hoods/housings sealing | NBR |
| Limiting temperatures | -40~+125°C |
| Flammability acc.to UL94 | VO |
| Degree of protection acc.to EN60529 for coupled connector | IP 65 |

Housings



HZW-H16A-ST-1PL

81 271 016 101



Bulkhead mounting