

HVE

Technical characteristics



HVE

Current carrying capacity

The current carrying is limited by maximum temperature of materials for inserts and contacts including terminals

DIN EN 60512-5
Control and test procedures
according to DIN EN 60512-5

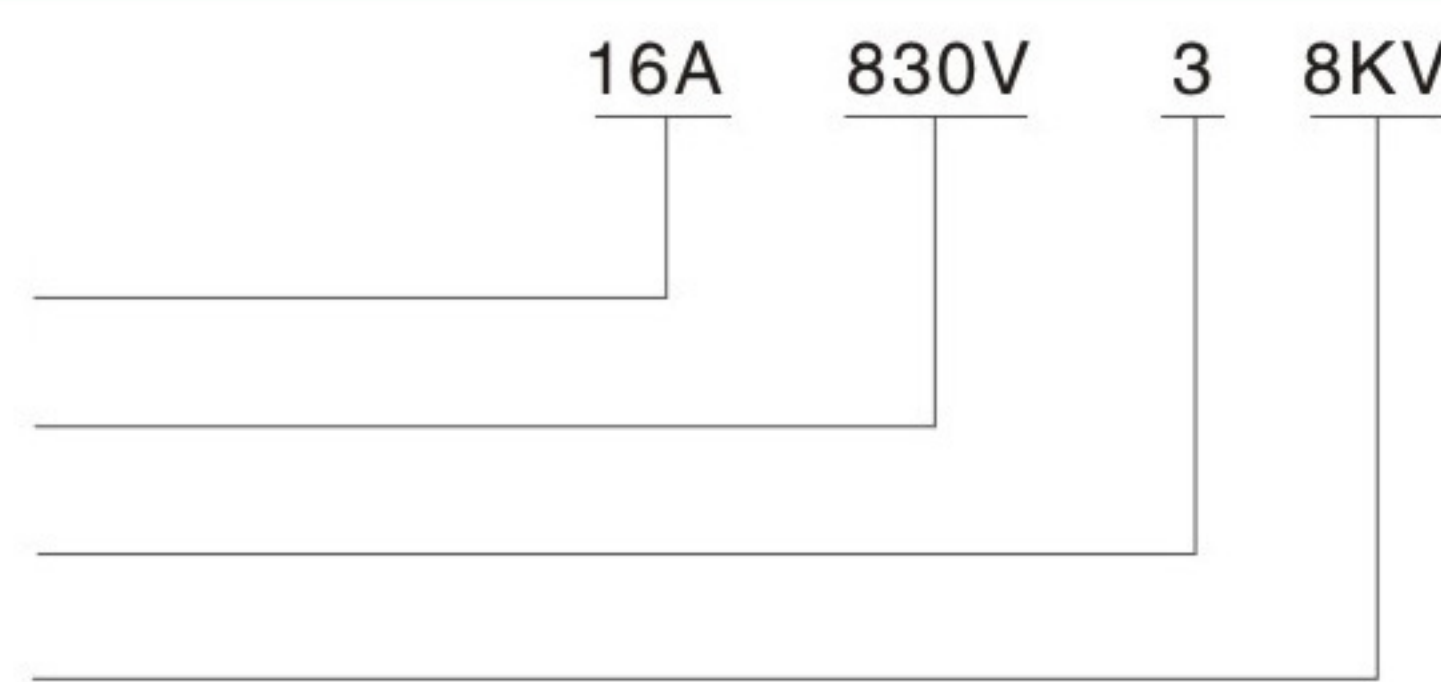
Specifications

DIN EN 60 664
DIN EN 61 984

Inserts

Number of contacts 3,6,10,12(2x6)
20(2x10)+PE

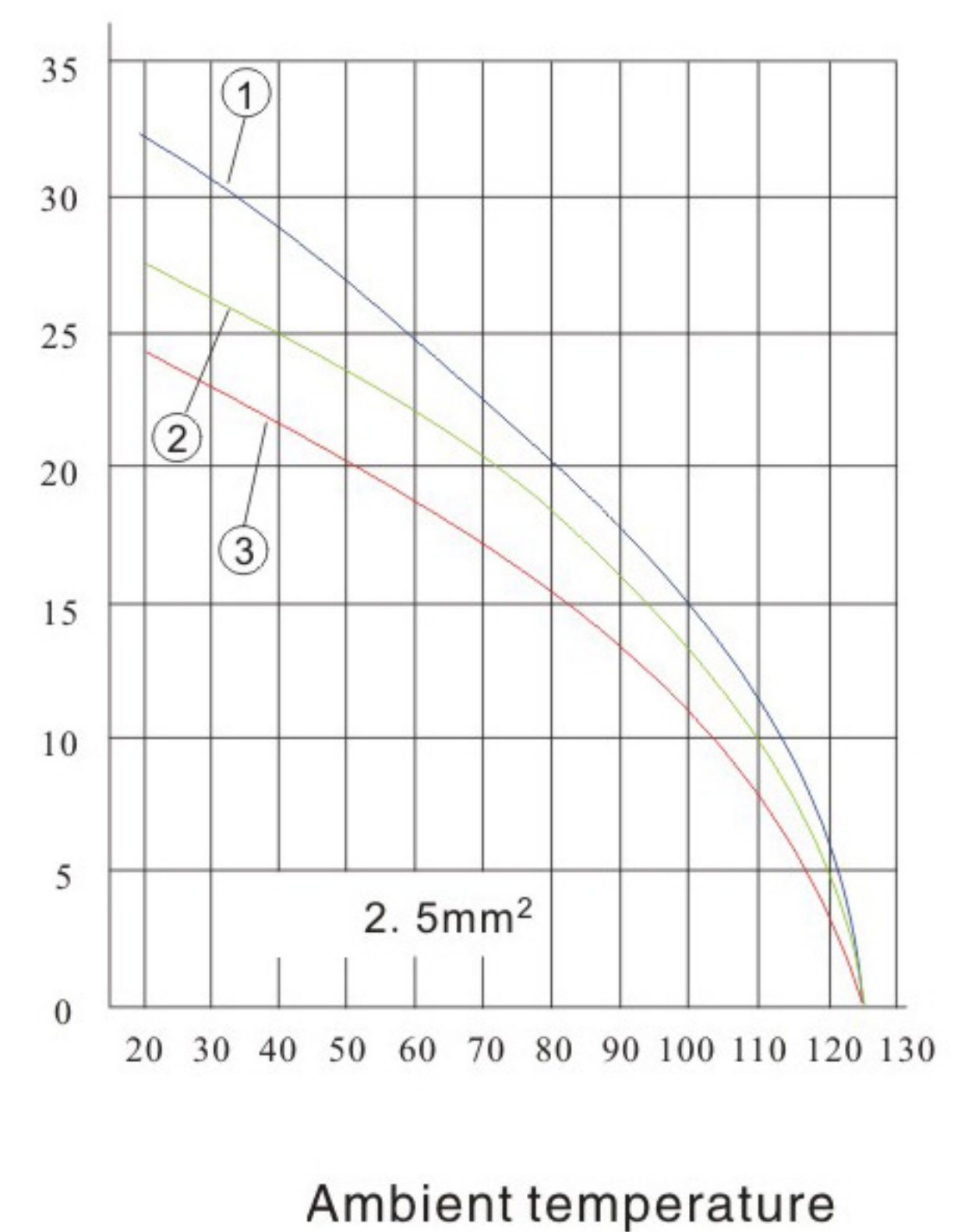
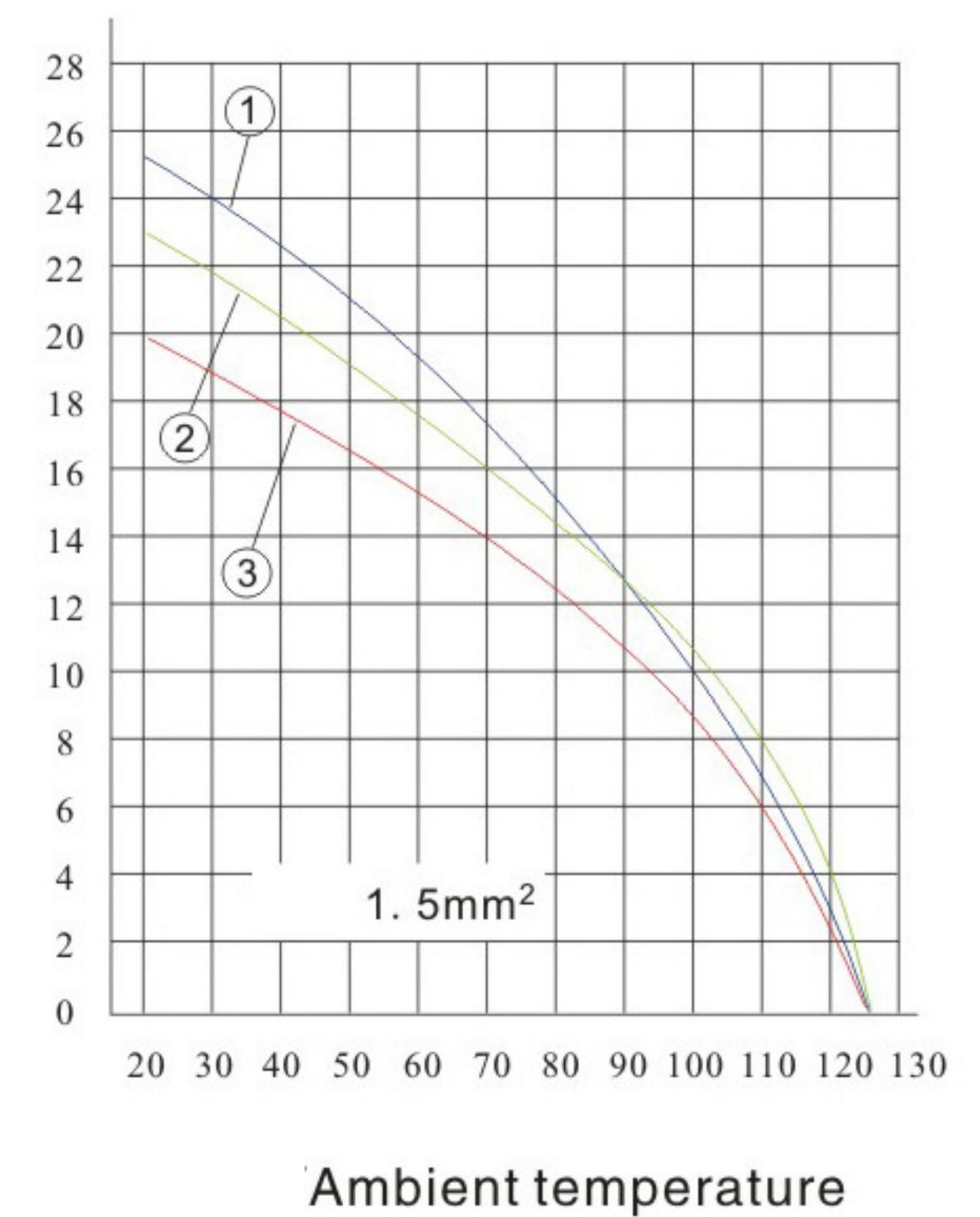
Working current
(See current carrying capacity)
Working voltage
Pollution degree
Rated impulse voltage



Pollution degree 2 also	16A 1000V 8KV 2
or	16A 720/1250V 8KV 2
Relay contacts	16A 500V 6KV 3
Working voltage acc.to UL/CSA	600V
Relay Contacts	250V
Insulation resistance	$\geq 10^{10} \Omega$
Material	Polycarbonate
Flammability acc.to(UL94)	VO
Limiting temperatures	-40°C ~ +125°C
Mechanical working life(mating cycles)	≥ 500

Contacts

Material	copper alloy
Surface	Silver plated
Contact resistance	$\leq 1m\Omega$
Terminal	Screw terminal
Wire gauge	1.0-2.5mm ² (AWG18-14)
Screw terminal tightening	0.5Nm
Stripping length	7-9mm



1 HZW-HVE-003 2 HZW-HVE-010
3 HZW-HVE-006

Hzw-HVE

Insert 830V 16A

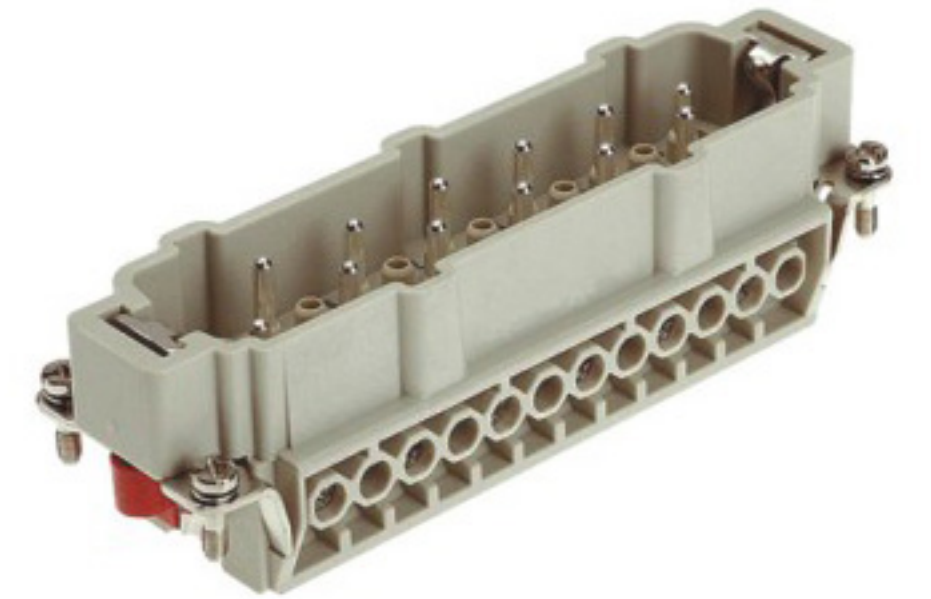
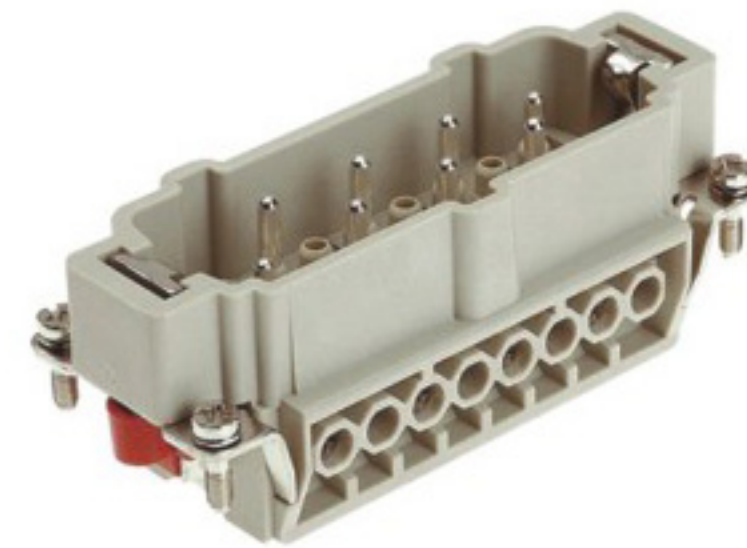
Number of contacts

3 + 2 + ⊕

6 + 2 + ⊕

10 + 2 + ⊕

HVE

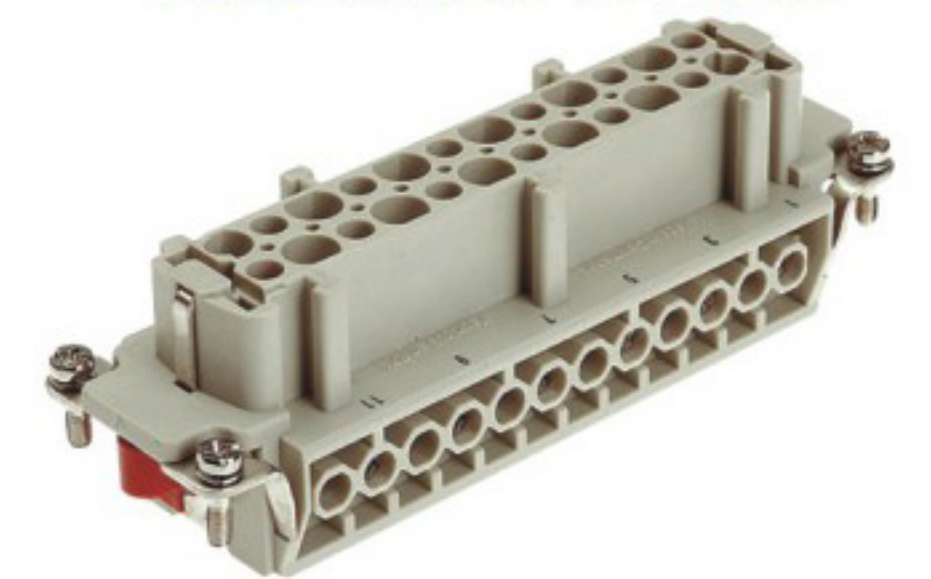
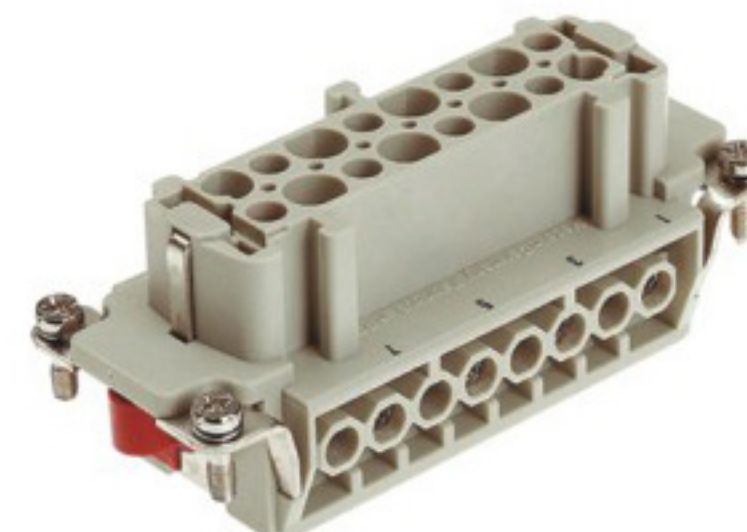


TYPE
Part number
Hoods/Housings

HZW-HVE-003-M
61 276 003 111
Size HZW-HV10B

HZW-HVE-006-M
61 276 006 121
Size HZW-HV16B

HZW-HVE-010-M
61 276 010 131
Size HZW-HV24B



TYPE
Part number
Hoods/Housings

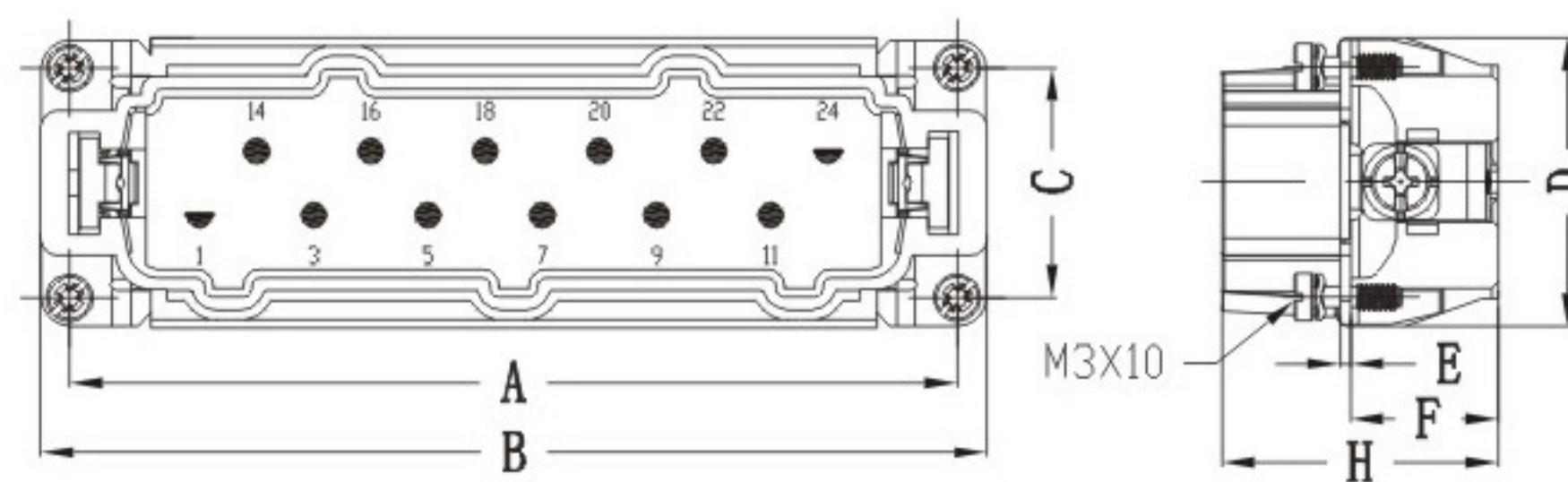
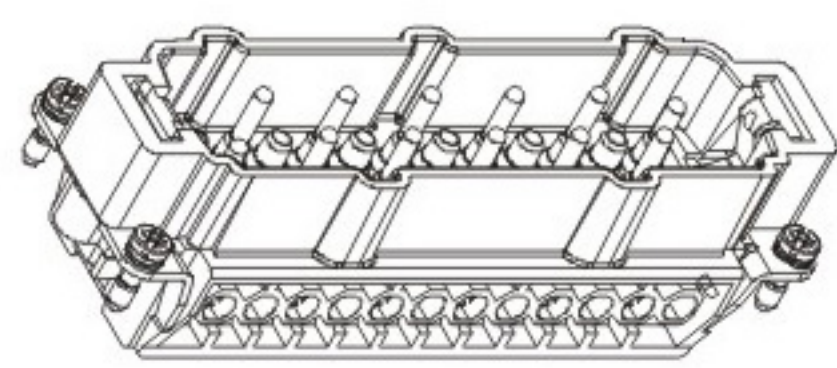
HZW-HVE-003-F
61 276 003 112
Size HZW-HV10B

HZW-HVE-006-F
61 276 006 122
Size HZW-HV16B

HZW-HVE-010-F
61 276 010 132
Size HZW-HV24B

Drawing (Dimensions in mm)

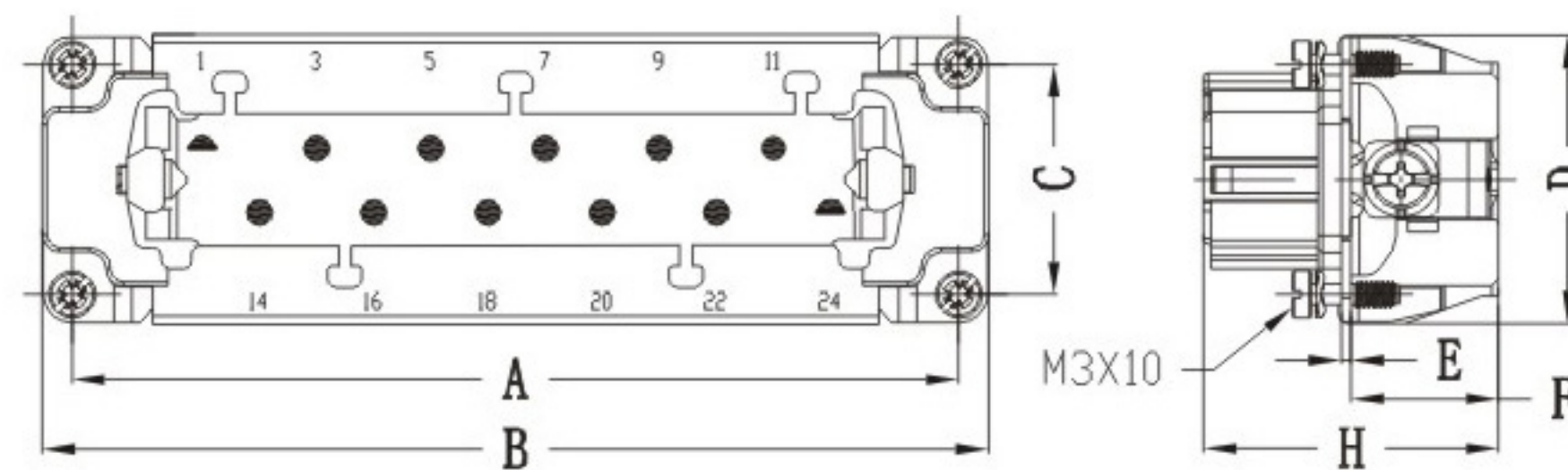
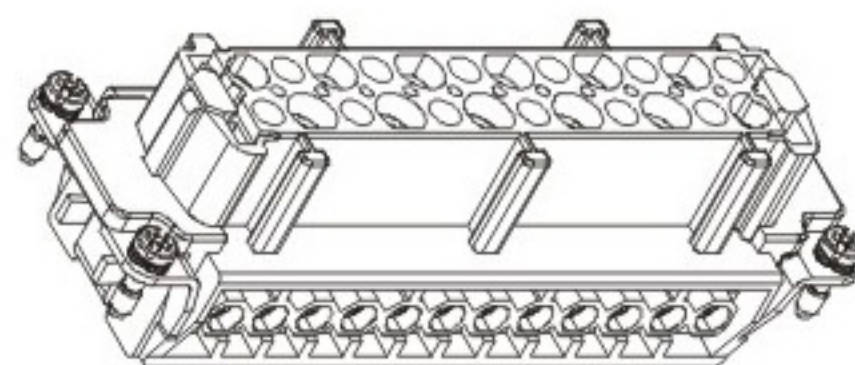
Male insert (M)



Male insert(M)

number of contacts	A	B	C	D	E	F	H
HZW-HVE-003	57	64	27	34	1.2	17.3	32.4
HZW-HVE-006	77.5	84.5	27	34	1.2	17.3	32.4
HZW-HVE-010	104	111	27	34	1.2	17.3	32.4

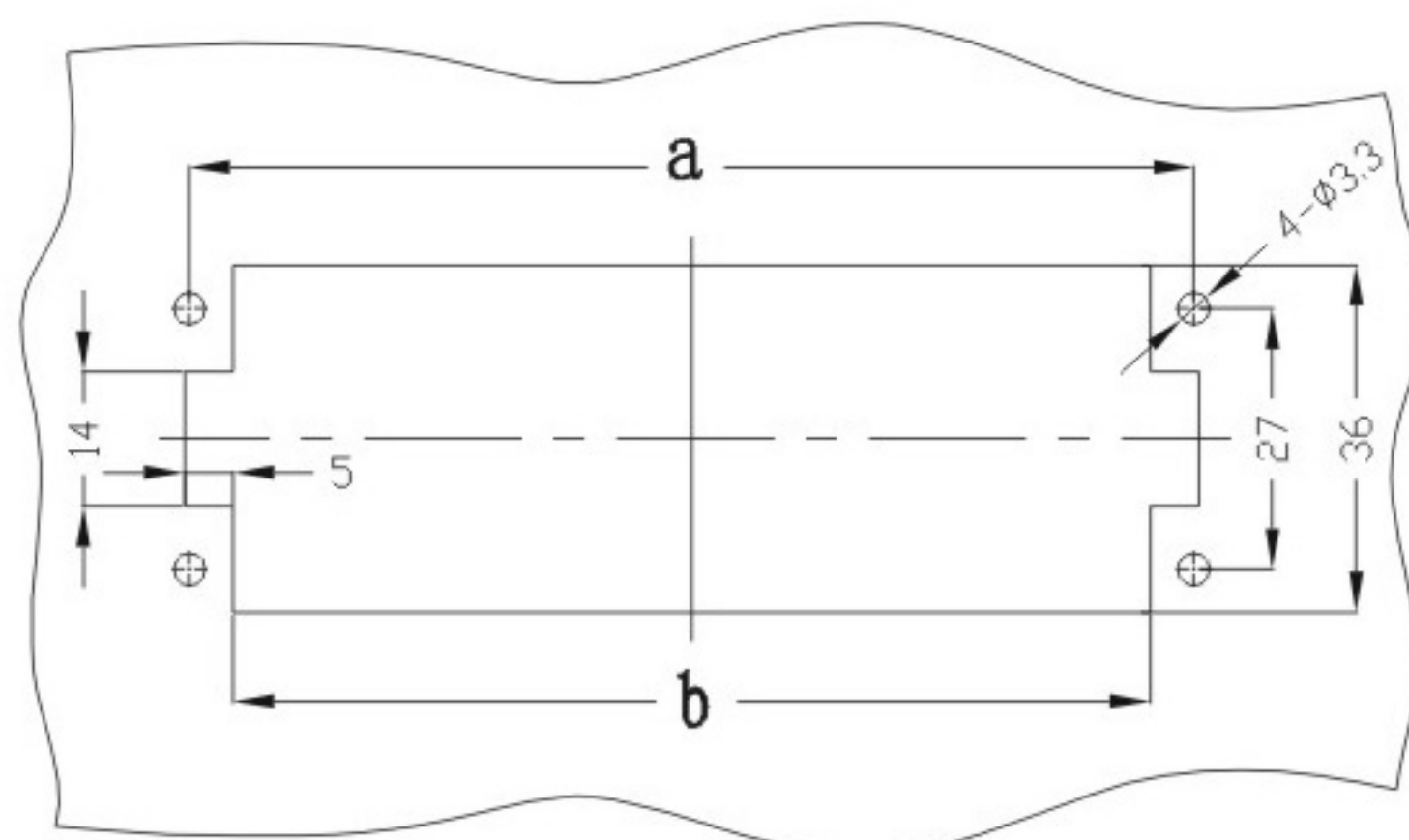
Female insert (F)



Female insert(F)

number of contacts	A	B	C	D	E	F	H
HZW-HVE-003	57	64	27	34	1.2	17.3	34.6
HZW-HVE-006	77.5	84.5	27	34	1.2	17.3	34.6
HZW-HVE-010	104	111	27	34	1.2	17.3	34.6

Panel cut out



Panel cut out

Size	a	b
HZW-HVE-003	57	48
HZW-HVE-006	77.5	68.5
HZW-HVE-010	104	95

Note: Suit hood/housings:Size HV10B,HV16B,HV24B

Hood/Housing detail on "Hood/Housing" section

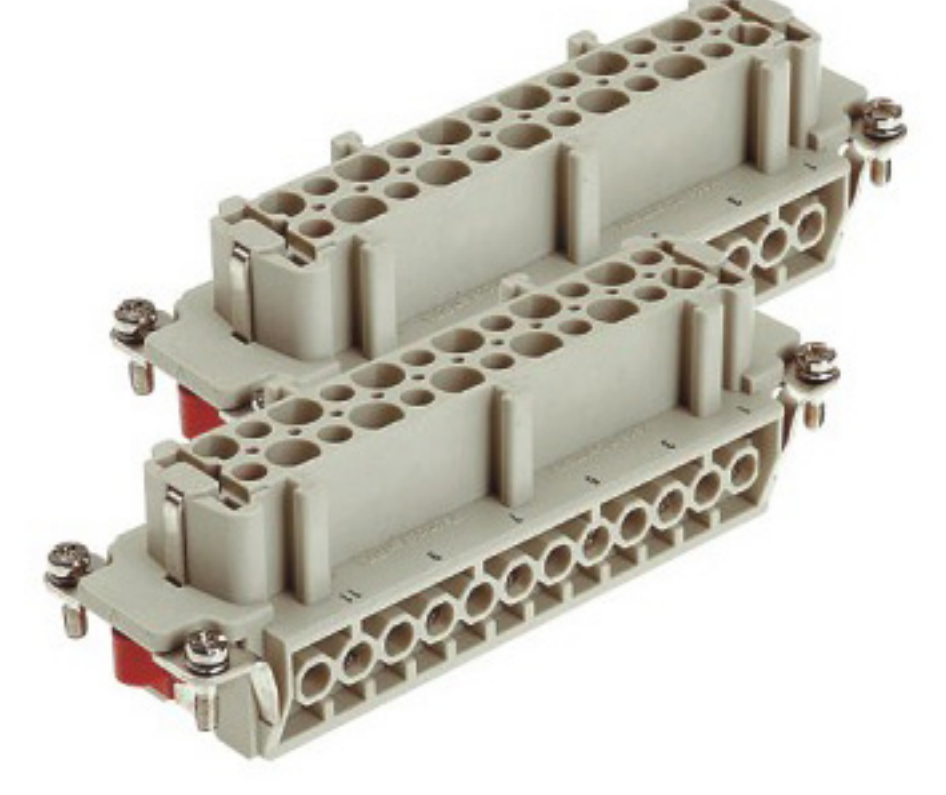
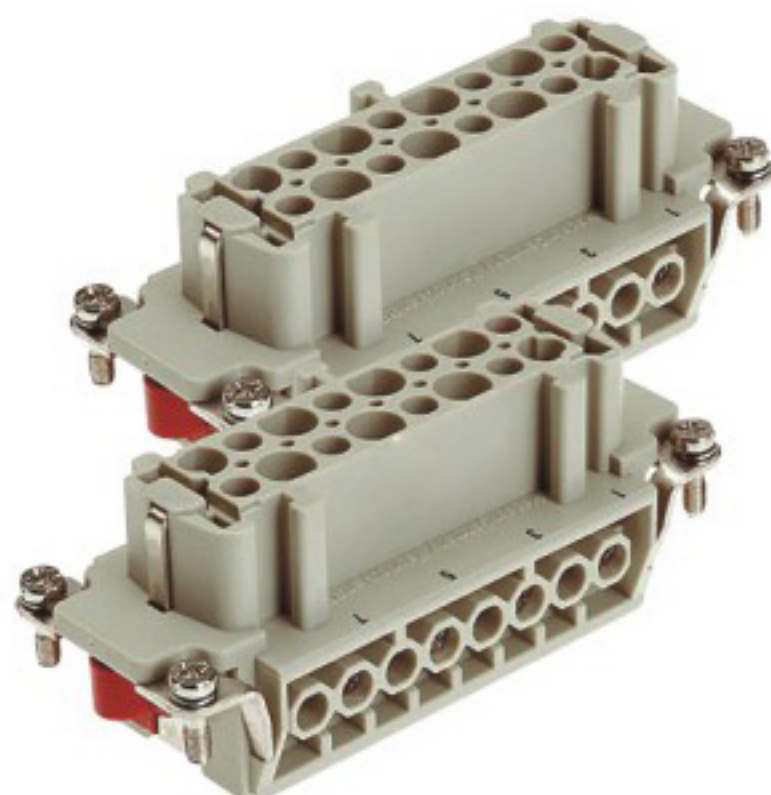
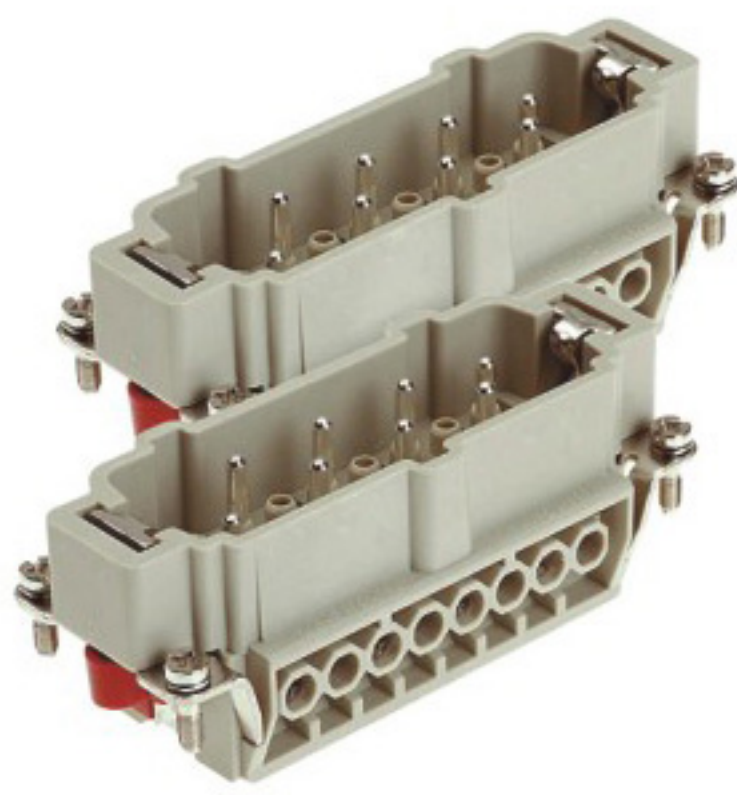
Hzw-HVE

Insert 830V 16A

Number of contacts

12 + 4 +

20 + 4 +

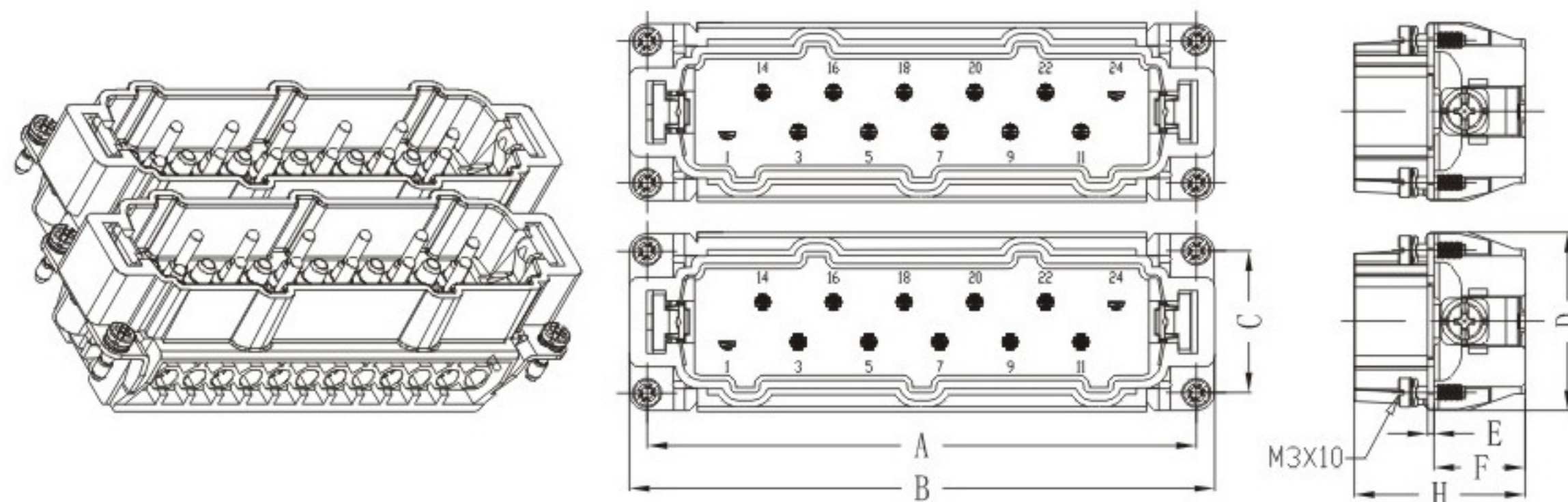


HVE

TYPE	HZW-HVE-012-M	HZW-HVE-012-F	HZW-HVE-020-M	HZW-HVE-020-F
Part number	61 276 012 141	61 276 012 142	61 276 020 151	61 276 020 152
Hoods/Housings	Size HZW-HV32B	Size HZW-HV32B	Size HZW-HV48B	Size HZW-HV48B

Drawing(Dimensions in mm)

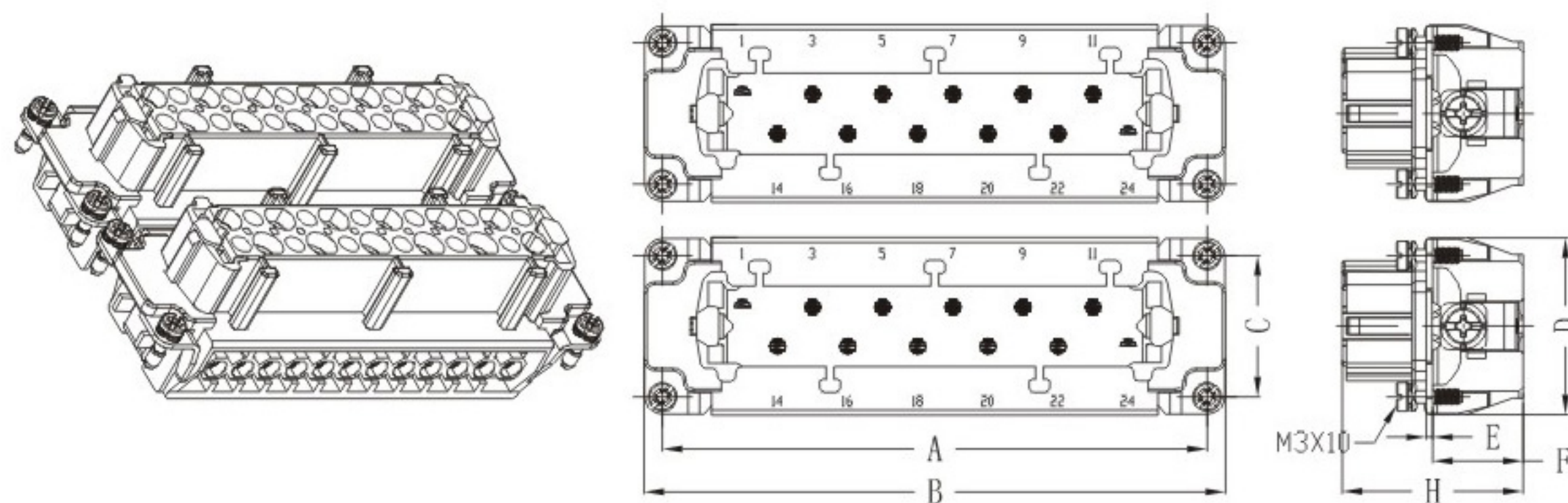
Male insert (M)



Male insert(M)

number of contacts	A	B	C	D	E	F	H
HZW-HVE-012	77.5	84.5	27	34	1.2	18.3	33.3
HZW-HVE-020	104	111	27	34	1.2	18.3	33.3

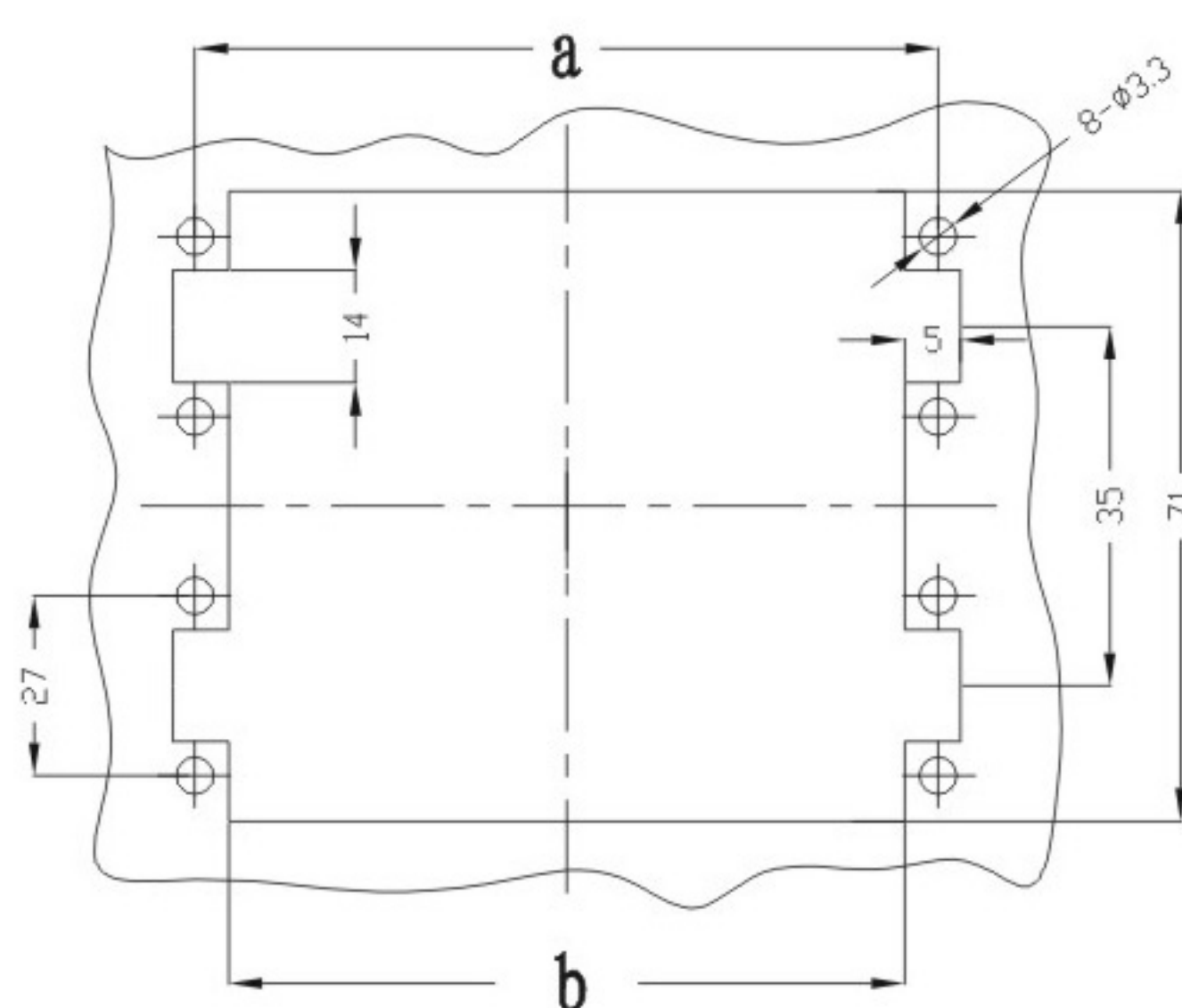
Female insert (F)



Female insert(F)

number of contacts	A	B	C	D	E	F	H
HZW-HVE-012	77.5	84.5	27	34	1.2	18.2	36.2
HZW-HVE-020	104	111	27	34	1.2	18.2	36.2

Panel cut out



Panel cut out

Size	a	b
HZW-HVE-012	77.5	68.5
HZW-HVE-020	104	95

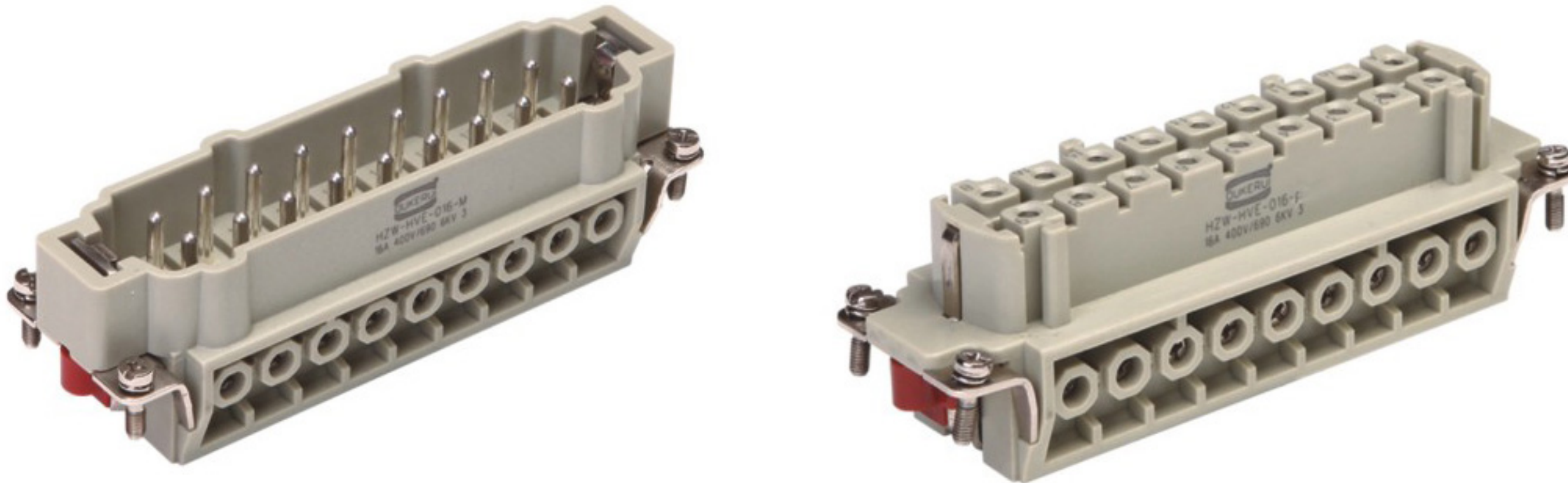
Note: Suit hood/housings:Size HV32B,HV48B

Hood/Housing detail on "Hood/Housing" section

HVE

Technical characteristics

HVE



Current carrying capacity

The current carrying is limited by maximum temperature of materials for inserts and contacts including terminals

Specifications	DIN EN 60 664 DIN EN 61 984
----------------	--------------------------------

Inserts

Number of contacts	16,32(2x16)+PE
--------------------	----------------

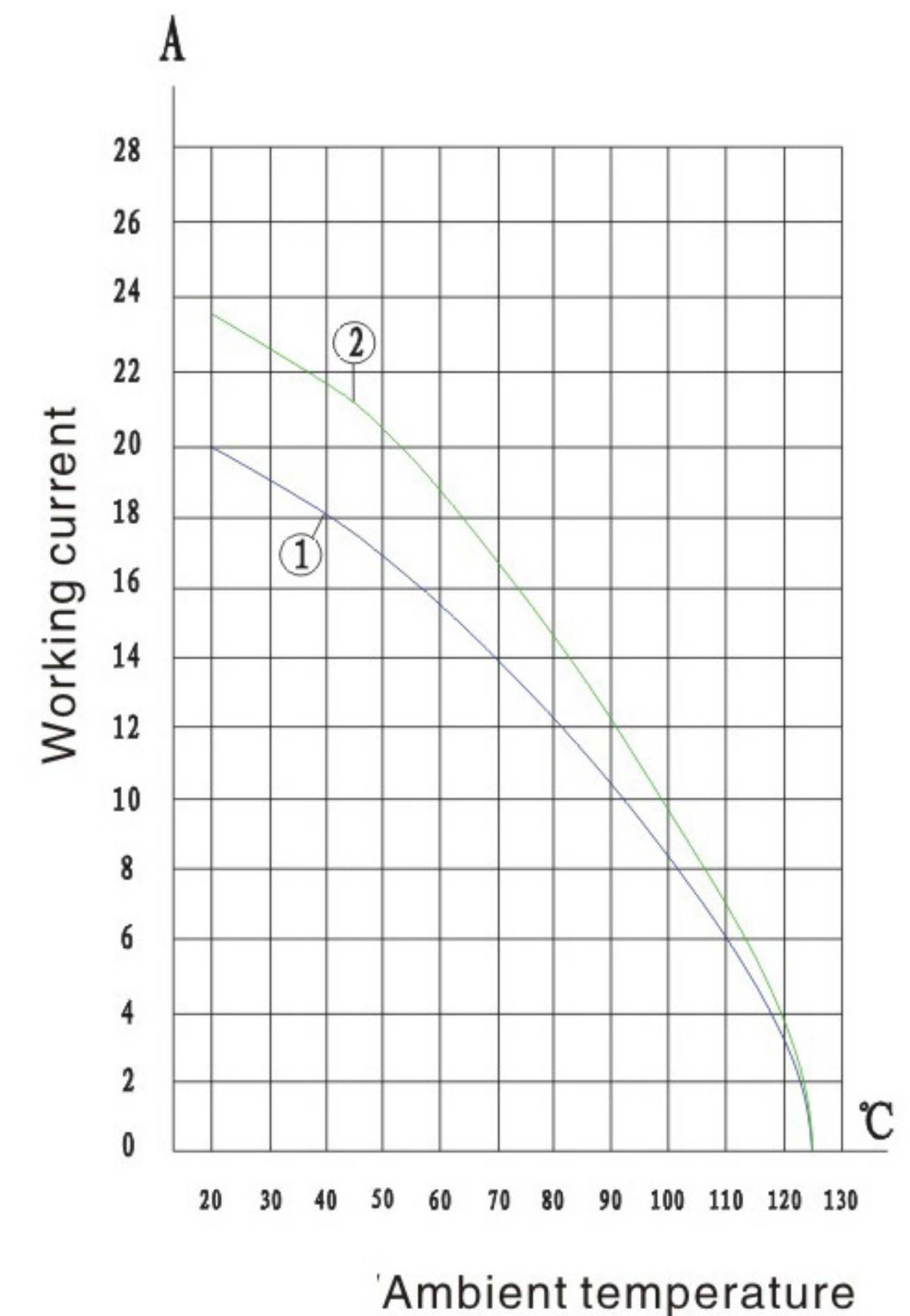
Working current (See current carrying capacity)	16A 400/690V 3 6KV
Working voltage	
Pollution degree	
Rated impulse voltage	
or	16A 500V 6KV 3

Working voltage acc.to UL/CSA	600V
Relay contacts	250V
Insulation resistance	$\geq 10^{10} \Omega$
Material	Polycarbonate
Flammability acc.to(UL94)	VO
Limiting temperatures	-40°C ~ +125°C
Mechanical working life(mating cycles)	≥ 500

Contacts

Material	copper alloy
Surface	Silver plated
Contact resistance	$\leq 1m\Omega$
Terminal	Screw terminal
Wire gauge	2.5mm ² (AWG14)
Screw terminal tightening	0.5Nm
Stripping length	7-9mm

Control and test procedures according to DIN EN 60512-5



- 1 wire gauge: 1.5mm²
- 2 wire gauge: 2.5mm²

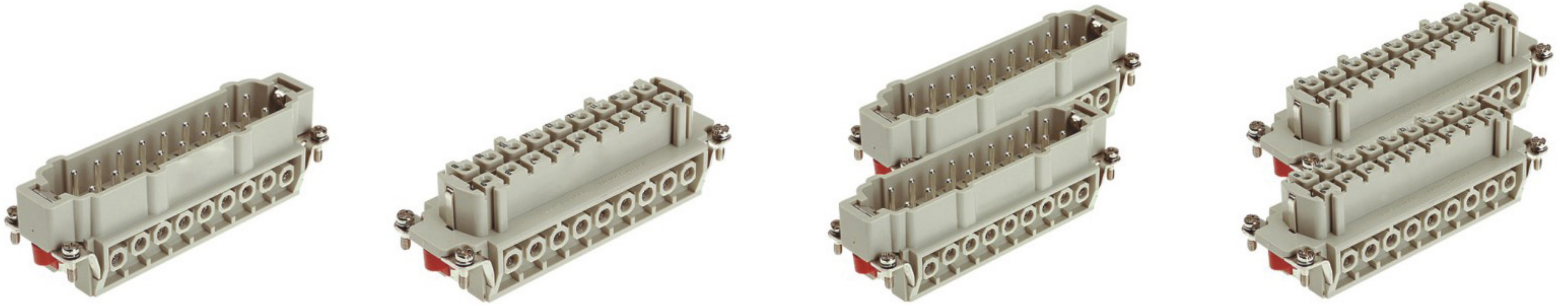
Hzw-HVE

Insert 400/690V 16A

Number of contacts

16 + 2 +

32 + 4 +

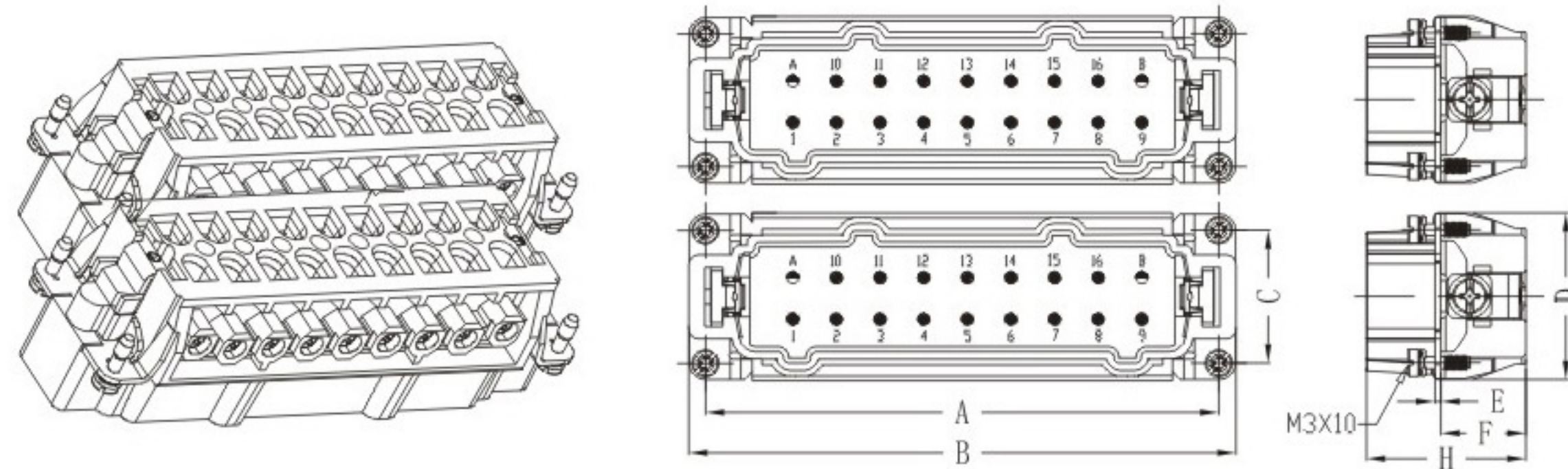


TYPE	HZW-HVE-016-M	HZW-HVE-016-F	HZW-HVE-032-M	HZW-HEE-032-F
Part number	61 276 016 161	61 276 016 162	61 276 032 171	61 276 032 172
Hoods/Housings	Size HZW-HV24B	Size HZW-HV24B	Size HZW-H48B	Size HZW-HV48B

HVE

Drawing(Dimensions in mm)

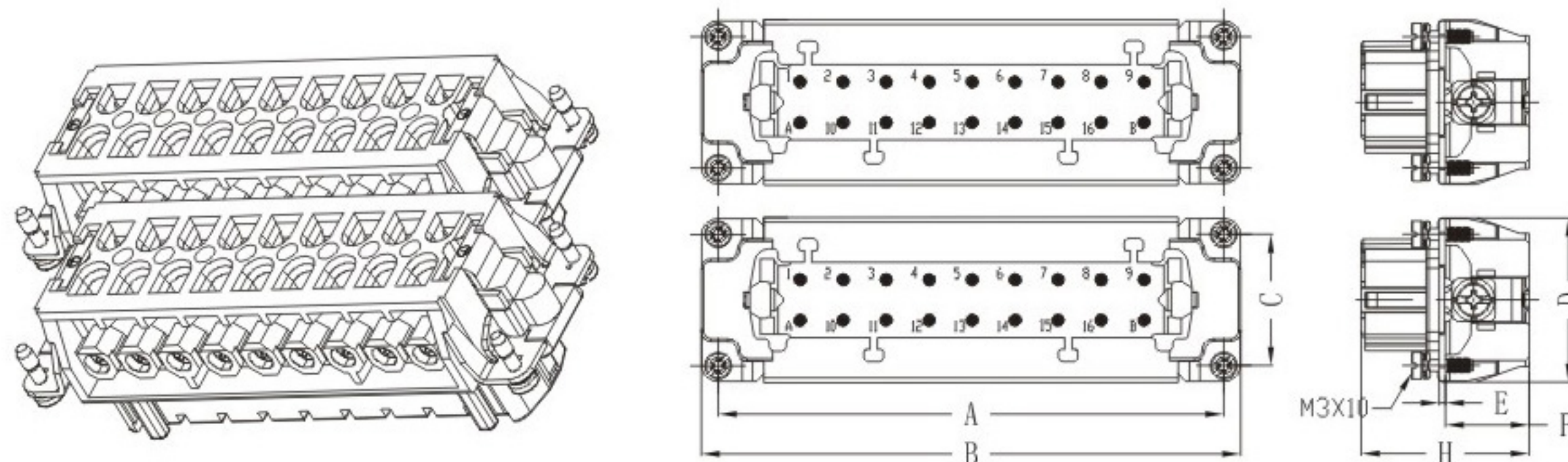
Male insert (M)



Male insert(M)

number of contacts	A	B	C	D	E	F	H
HZW-HVE-016	104	111	27	34	1.2	17.3	32.4
HZW-HVE-032	104	111	27	34	1.2	17.3	32.4

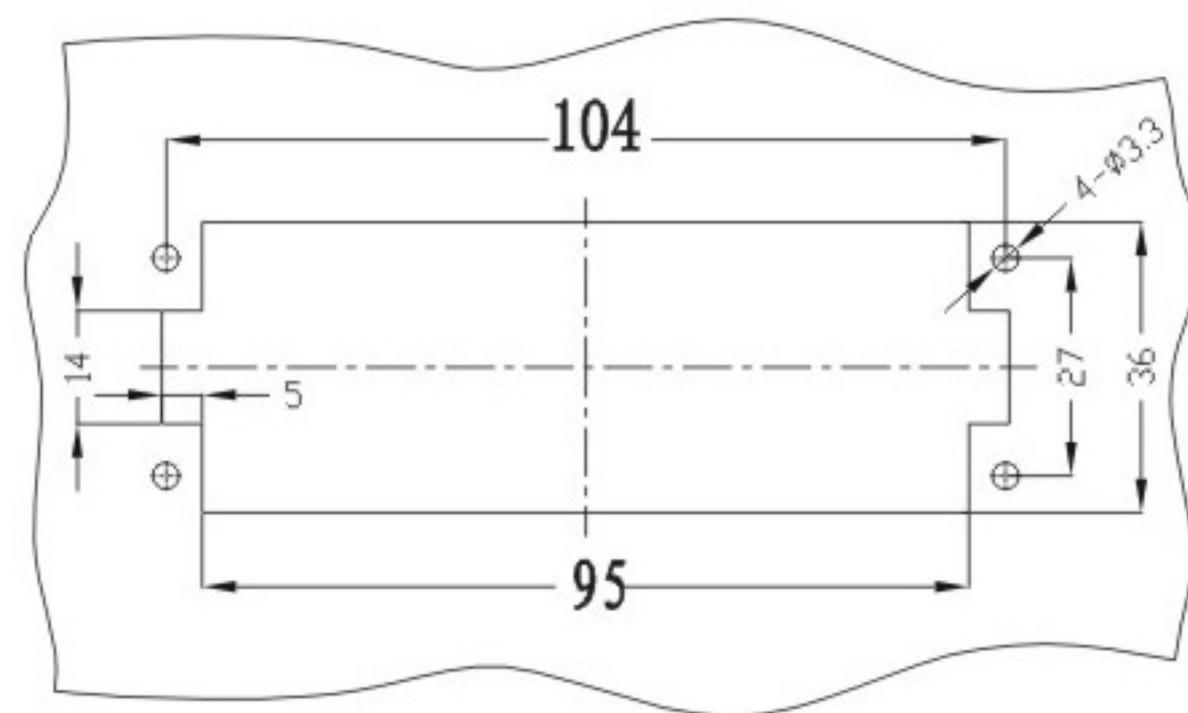
Female insert (F)



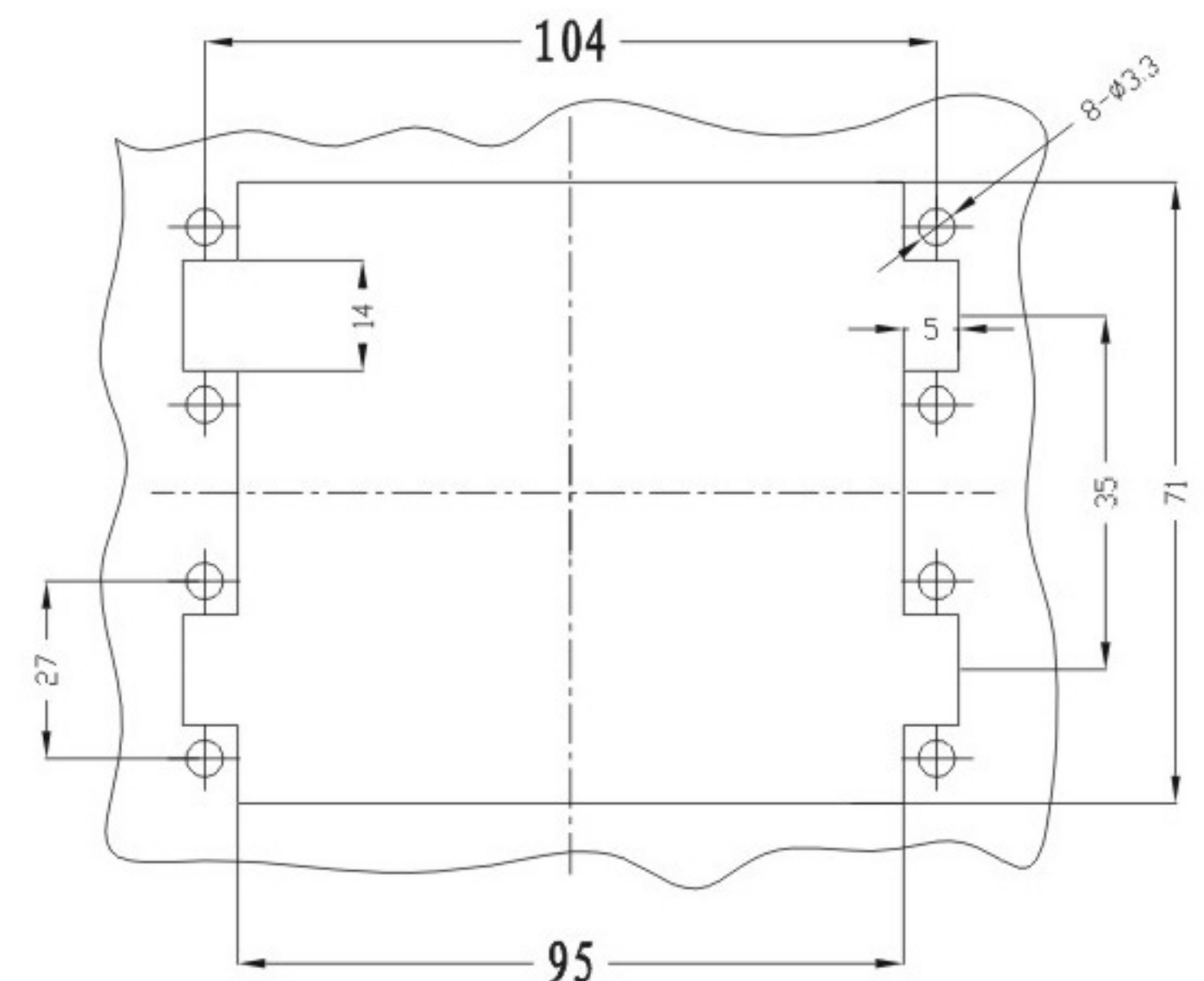
Female insert(F)

number of contacts	A	B	C	D	E	F	H
HZW-HVE-016	104	111	27	34	1.2	17.3	34.6
HZW-HVE-032	104	111	27	34	1.2	17.3	34.6

Panel cut out



HZW-HVE-016



HZW-HVE-032

Note: Suit hood/housings:Size HV24B,HV48B

Hood/Housing detail on "Hood/Housing" section