

## Standard Hoods/Housings

Material	Aluminium die-cast
Color	grey(RAL 7037)
Locking element	
Lever type	(Plastics and wheel)lever
Hoods/housings sealing	NBR
Limiting temperatures	-40~+125°C
Flammability acc.to UL94	VO
Degree of protection acc.to EN60529 for coupled connector	IP 65

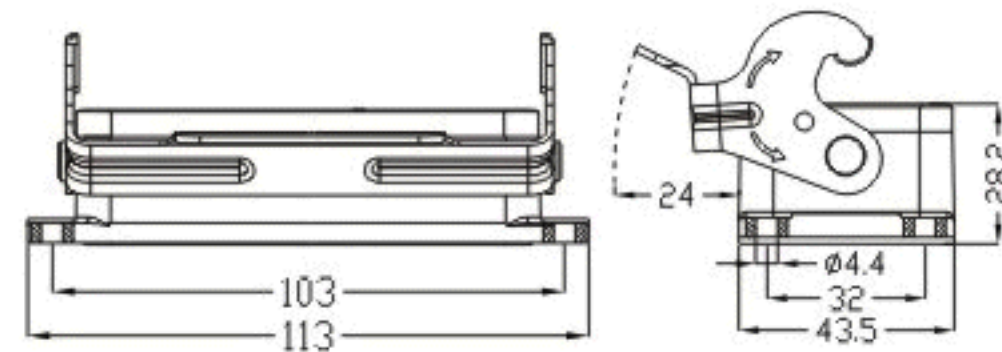
# Housings



---

HZW-H16B-ST-1PL

81 303 016 201



Bulkhead mounting

