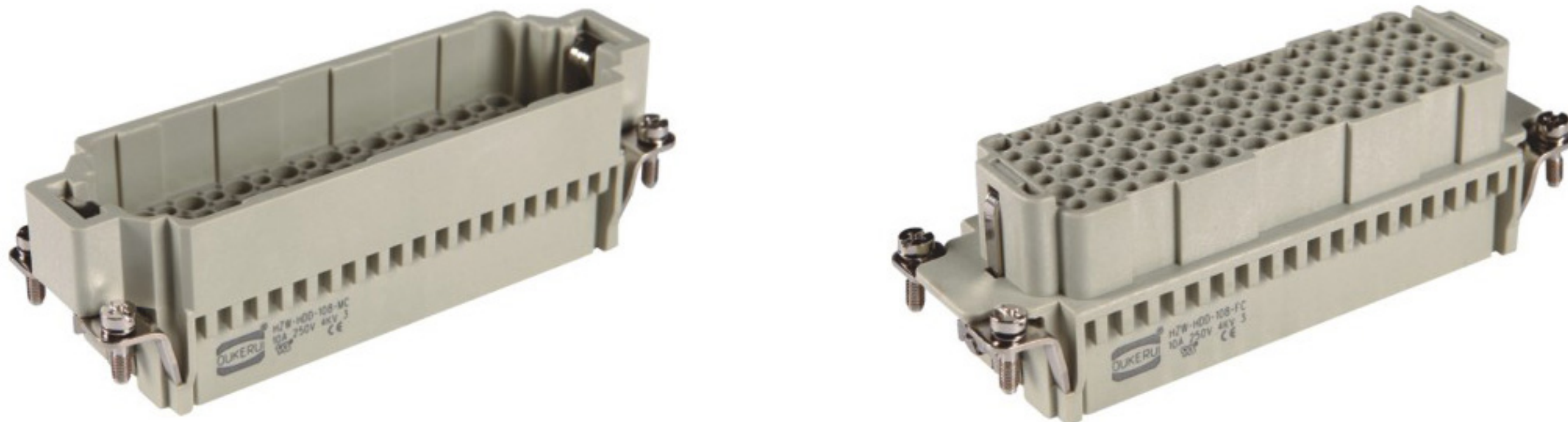


HDD

Technical characteristics

HDD



Current carrying capacity

The current carrying is limited by maximum temperature of materials for inserts and contacts including terminals

Specifications DIN EN 60 664
DIN EN 61 984

Inserts

Number of contacts 24,42,72,108,144,216
144(2x72),216(2x108)+PE

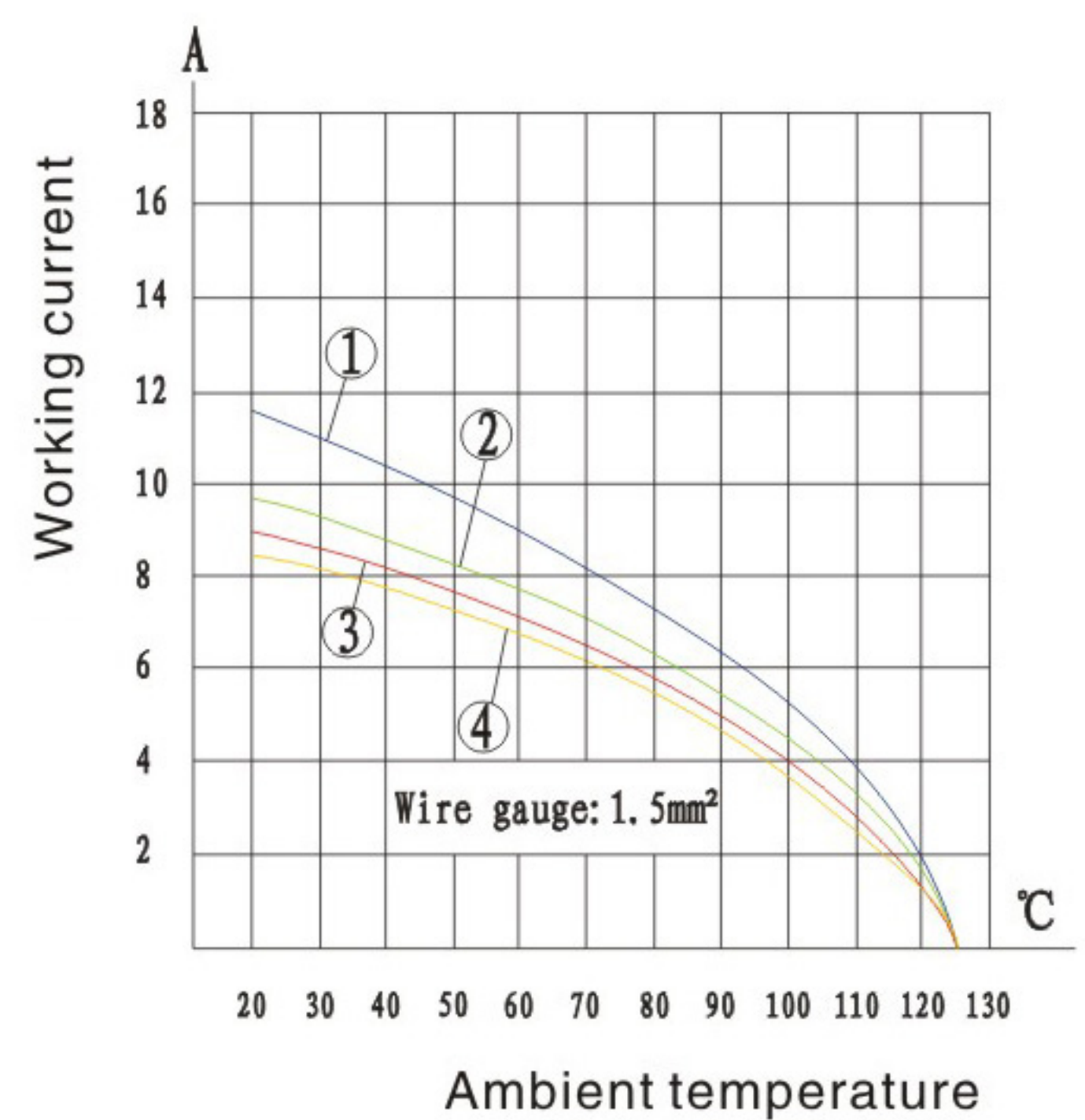
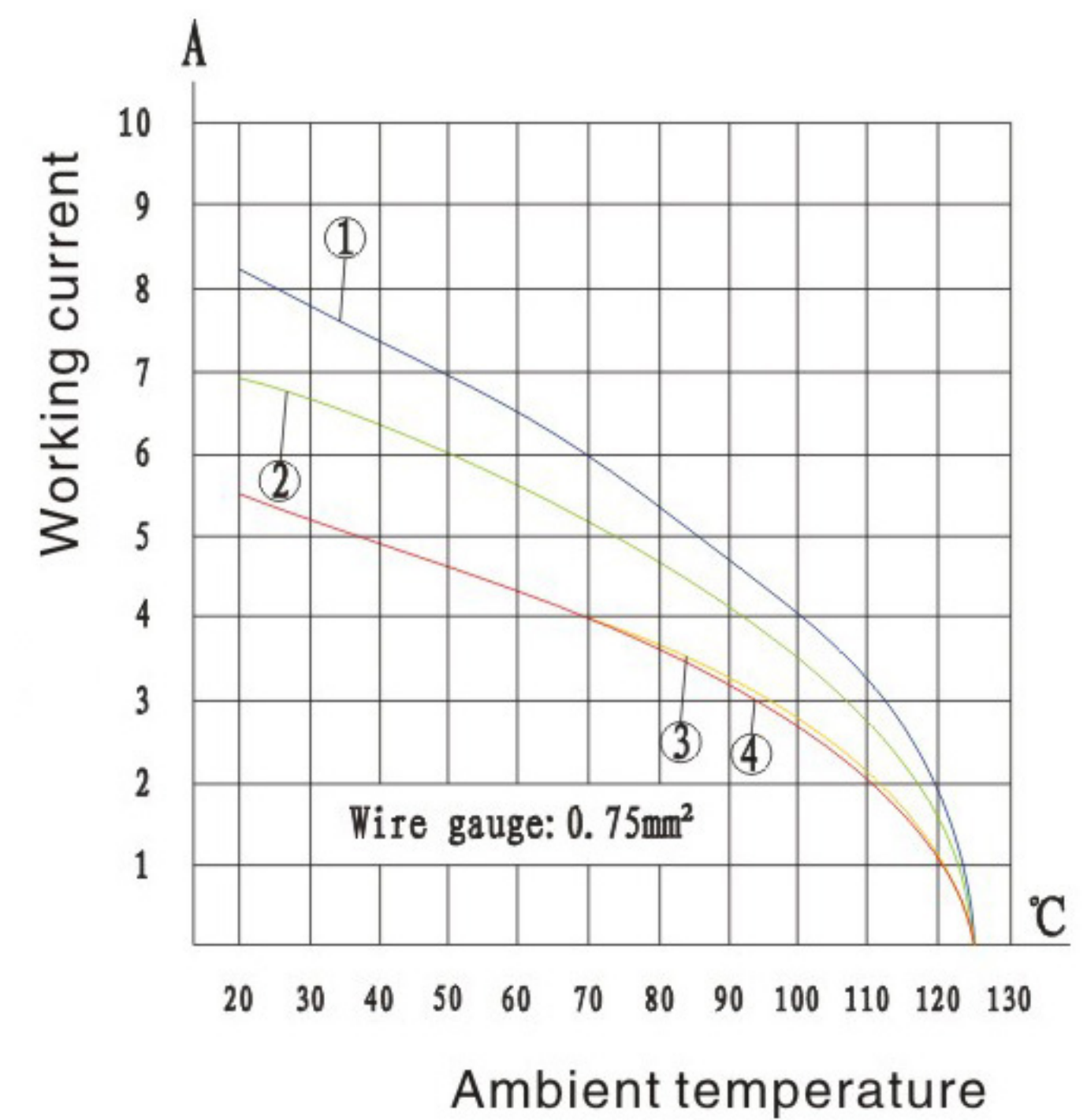
Working current	10A	250V	4KV	3
See current carrying capacity)				
Working voltage				
Rated impulse voltage				
Pollution degree				

Pollution degree 2 also	-	10 A	230/400 V	4 KV	2
Insulation resistance					$\geq 10^{10} \Omega$
Material					Polycarbonate
Flammability acc.to(UL94)					VO
Limiting temperatures					-40°C~ +125°C
Mechanical working life(mating cycles)					≥ 500
Working voltage acc.to UL/CSA					600V

Contacts

Material	copper alloy
Surface	Gold plated Silver plated
Contact resistance	$\leq 3m\Omega$
Terminal	Crimp terminal
Wire gauge	0.14-2.5mm ² (AWG26-14)

DIN EN 60512-5
Control and test procedures
according to DIN EN 60512-5



- 1 HZW-HDD-024 3 HZW-HDD-072
- 2 HZW-HDD-042 4 HZW-HDD-108

Hzw-HDD

Insert 250V 10A

Number of contacts

24, 42, 72, 108 +

HDD



TYPE

HZW-HDD-024-MC

HZW-HDD-024-FC

HZW-HDD-042-MC

HZW-HDD-042-FC

Part number

6I 244 024 401

6I 244 024 402

6I 244 042 411

6I 244 042 412

Hoods/Housings

Size HZW-H6B

Size HZW-H6B

Size HZW-H10B

Size HZW-H10B



TYPE

HZW-HDD-072-MC

HZW-HDD-072-FC

HZW-HDD-108-MC

HZW-HDD-108-FC

Part number

6I 244 072 421

6I 244 072 422

6I 244 108 431

6I 244 108 432

Hoods/Housings

Size HZW-H16B

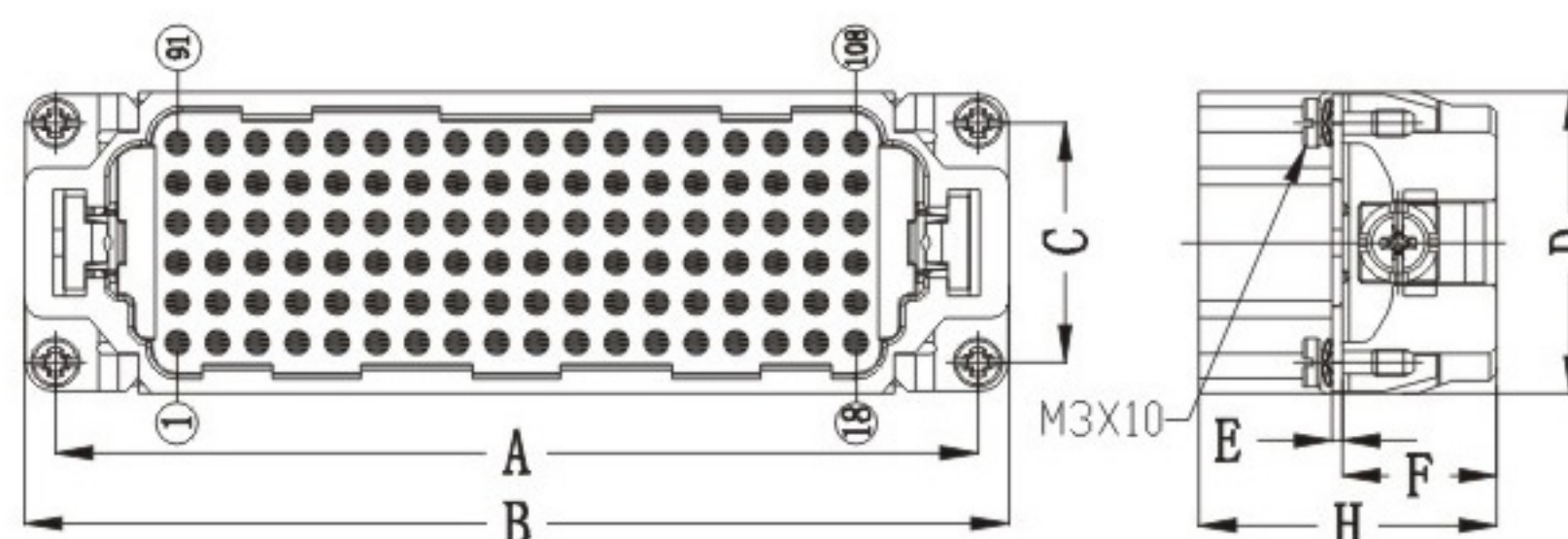
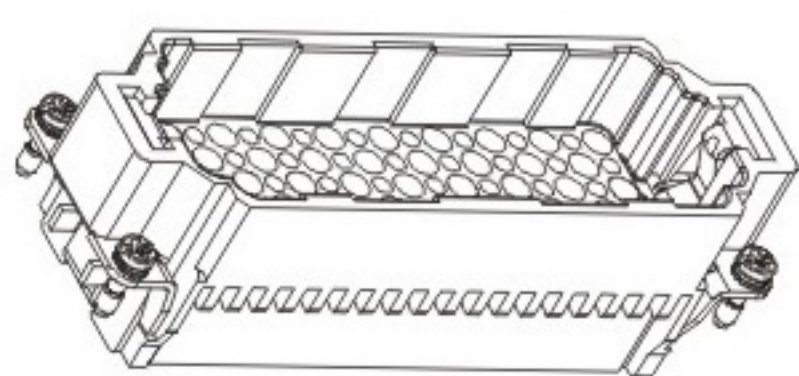
Size HZW-H16B

Size HZW-H24B

Size HZW-H24B

Drawing (Dimensions in mm)

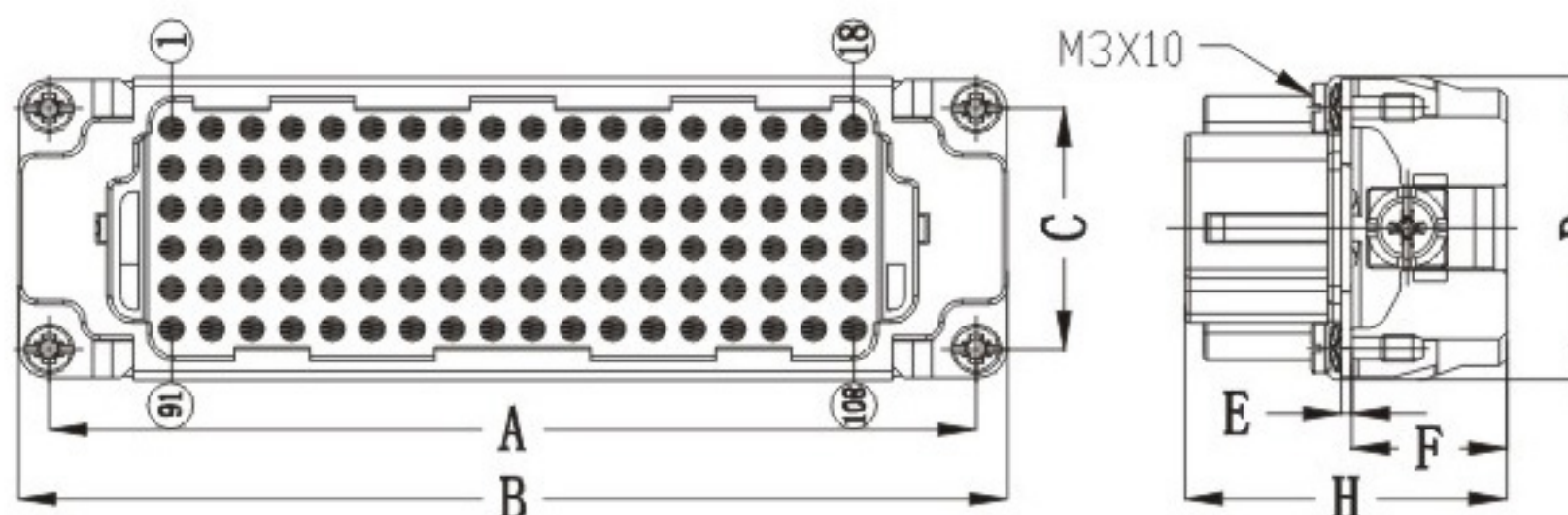
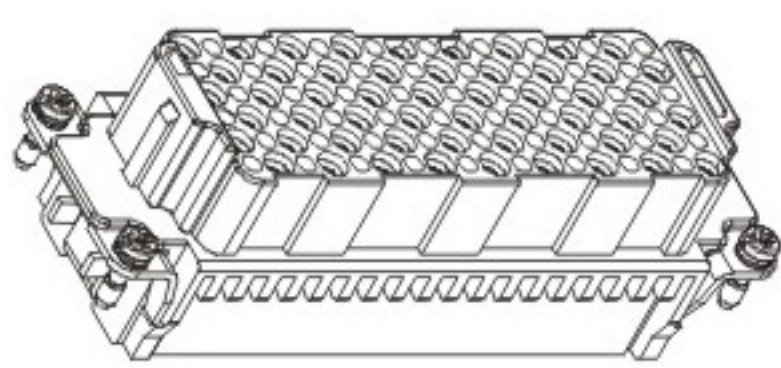
Male insert (MC)



Male insert(M)

number of contacts	A	B	C	D	E	F	H
HZW-HDD-024	44	51	27	34	1.2	17.4	33.6
HZW-HDD-042	57	64	27	34	1.2	17.4	33.6
HZW-HDD-072	77.5	84.5	27	34	1.2	17.4	33.6
HZW-HDD-108	104	111	27	34	1.2	17.4	33.6

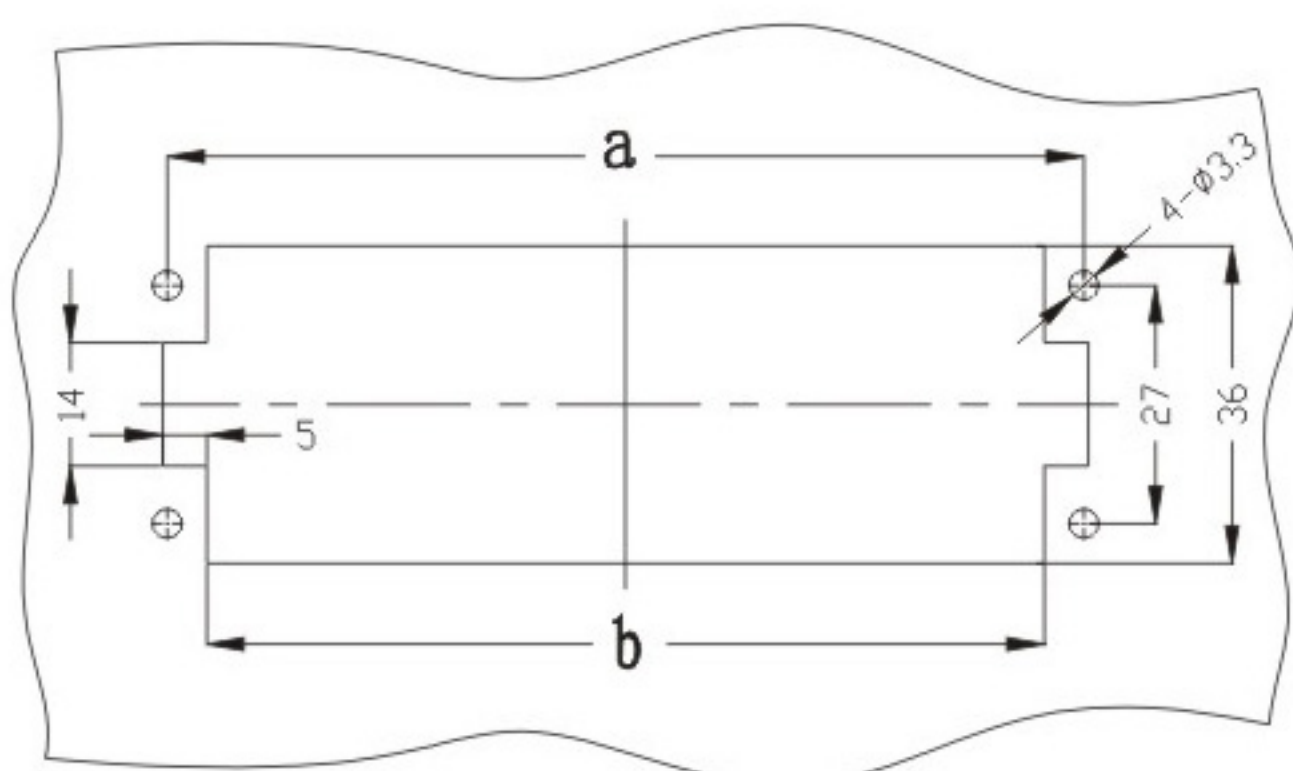
Female insert (FC)



Female insert(F)

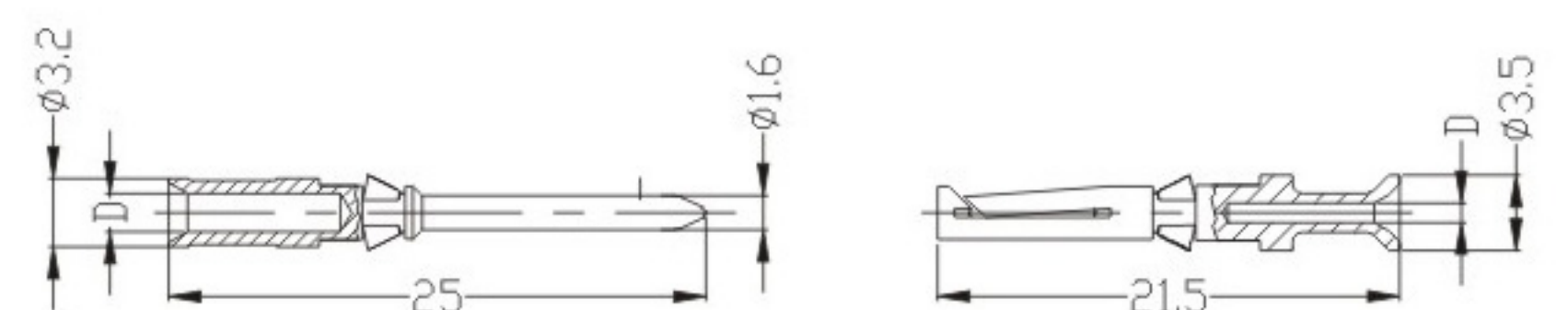
number of contacts	A	B	C	D	E	F	H
HZW-HDD-024	44	51	27	34	1.2	17.4	36.1
HZW-HDD-042	57	64	27	34	1.2	17.4	36.1
HZW-HDD-072	77.5	84.5	27	34	1.2	17.4	36.1
HZW-HDD-108	104	111	27	34	1.2	17.4	36.1

Panel cut out



Panel cut out

Size	a	b
HZW-HDD-024	44	35
HZW-HDD-042	57	48
HZW-HDD-072	77.5	68.5
HZW-HDD-108	104	95



Crimp contacts	Wire gauge	D	Stripping length
Gold plated	0.14-0.37mm ²	AWG 26-22	0.90mm
	0.5mm ²	AWG 20	1.10mm
	0.75mm ²	AWG 18	1.30mm
Silver plated	1.0mm ²	AWG 18	1.45mm
	1.5mm ²	AWG 16	1.75mm
	2.5mm ²	AWG 14	2.25mm

Note: Suit hood/housings:Size H6B,H10B,H16B,H24B
Hood/Housing detail on "Hood/Housing" section

Note: 10A Crimp contact pins should order separately, please refer to page 111

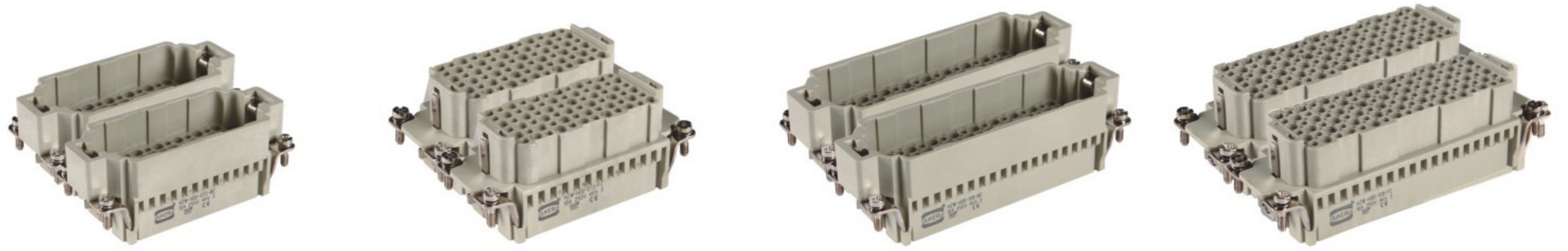
Hzw-HDD

Insert 250V 10A

Number of contacts

144,216+

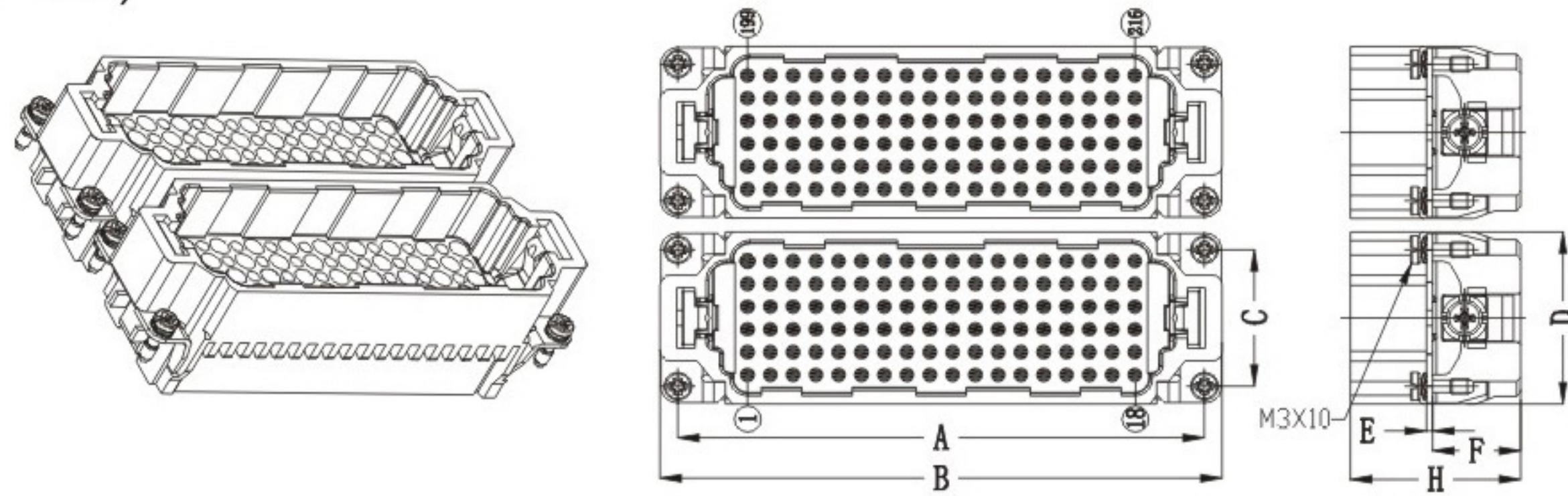
HDD



TYPE	HZW-HDD-144-MC	HZW-HDD-144-FC	HZW-HDD-216-MC	HZW-HDD-216-FC
Part number	61 244 144 451	61 244 144 452	61 244 216 461	61 244 216 462
Hoods/Housings	Size HZW-H32B	Size HZW-H32B	Size HZW-H48B	Size HZW-H48B

Drawing (Dimensions in mm)

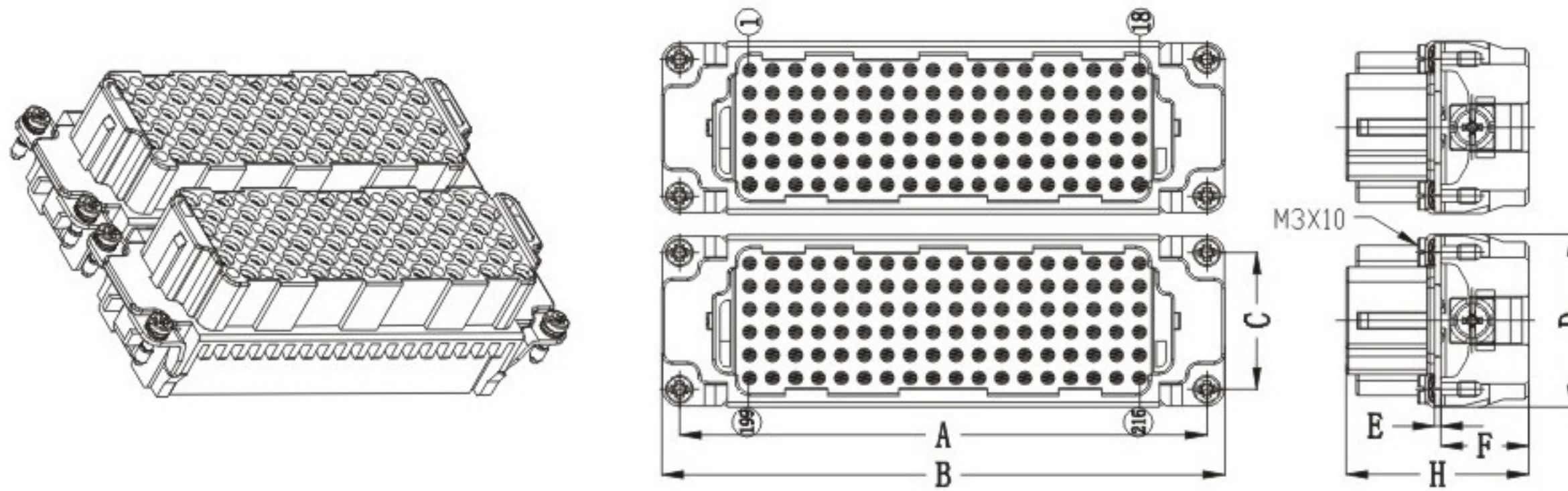
Male insert (MC)



Male insert(M)

number of contacts	A	B	C	D	E	F	H
HZW-HDD-144	77.5	84.5	27	34	1.2	17.4	33.6
HZW-HDD-216	104	111	27	34	1.2	17.4	33.6

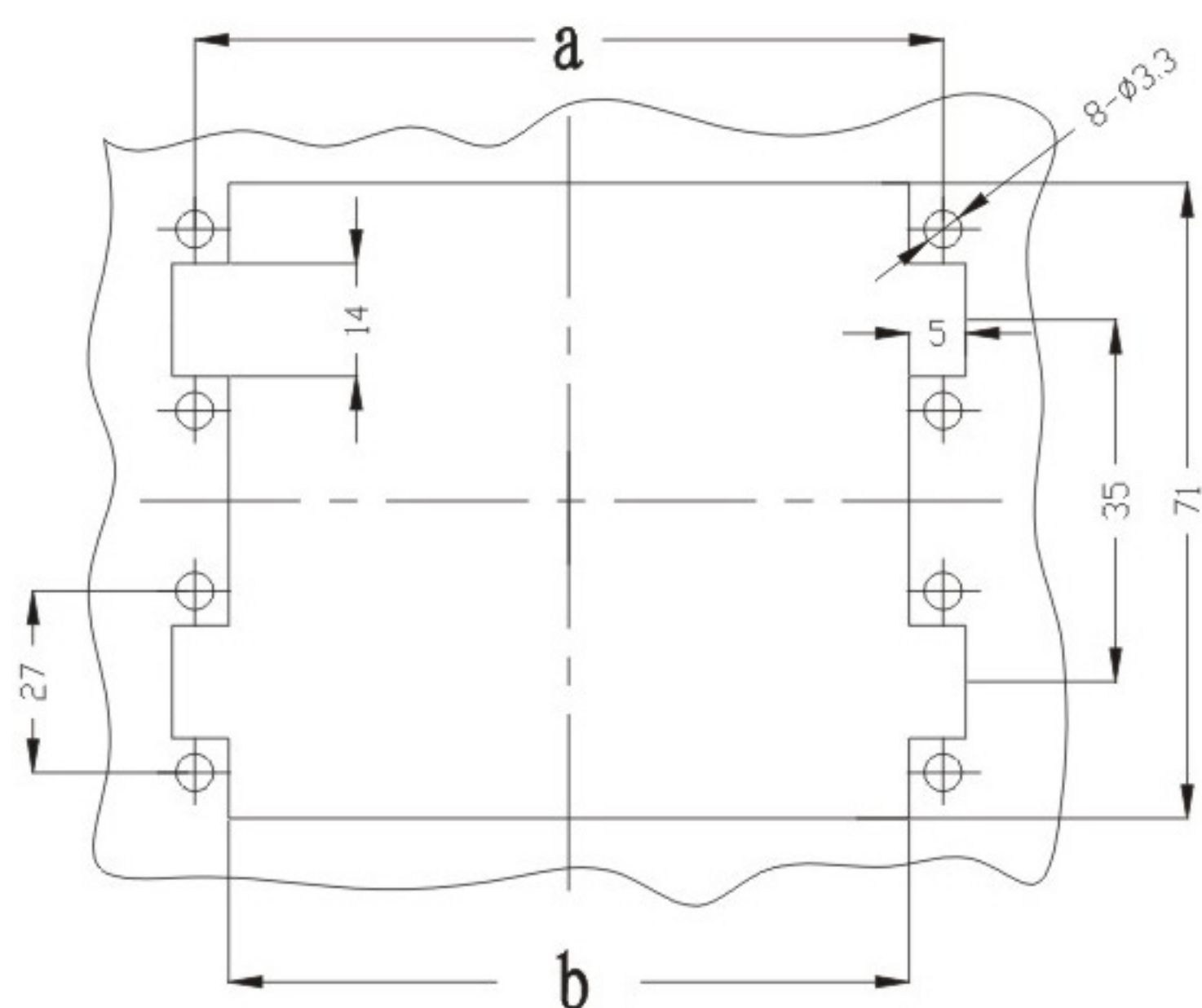
Female insert (FC)



Female insert(F)

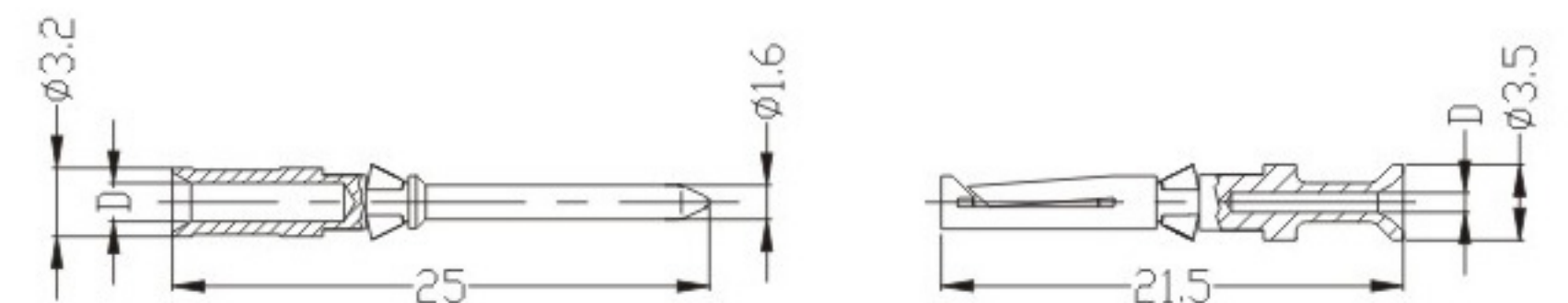
number of contacts	A	B	C	D	E	F	H
HZW-HDD-144	77.5	84.5	27	34	1.2	17.4	36.1
HZW-HDD-216	104	111	27	34	1.2	17.4	36.1

Panel cut out



Panel cut out

Size	a	b
HZW-HDD-144	77.5	68.5
HZW-HDD-216	104	95.0



Crimp contacts	Wire gauge	D	Stripping length
Gold plated	0.14-0.37mm ²	AWG 26-22	0.90mm
	0.5mm ²	AWG 20	1.10mm
	0.75mm ²	AWG 18	1.30mm
Silver plated	1.0mm ²	AWG 18	1.45mm
	1.5mm ²	AWG 16	1.75mm
	2.5mm ²	AWG 14	2.25mm

Note: Suit hood/housings:Size H32B,H48B
Hood/Housing detail on "Hood/Housing" section

Note:
10A Crimp contact pins should order separately, please refer to page 111