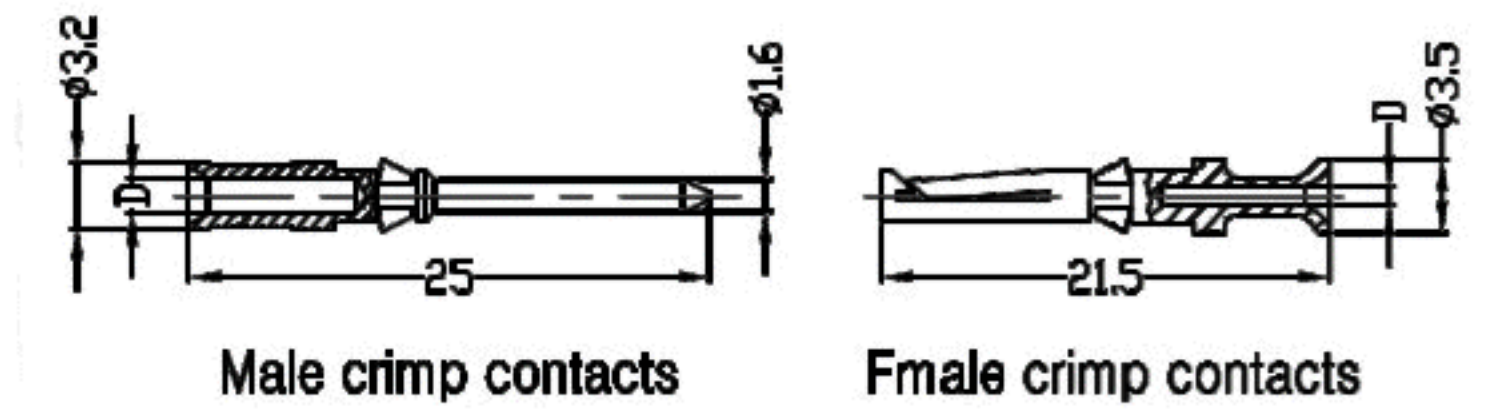


# Crimp contacts

## (10A)/CDGM/CDGF

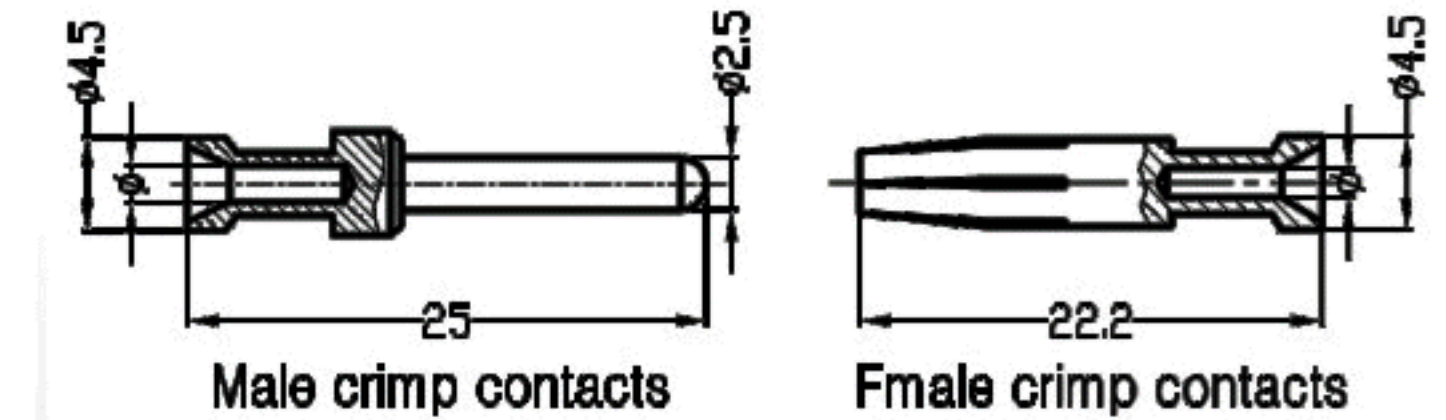
Material:copper alloy Surface: Gold plated/Silver plated  
 Contact resistance: ≤ 3mΩ Terminal:Crimp connection



10A Crimp contacts			Contacts, Gold-plated				Contacts, Silver-plated			
Wire gauge		Stripping length	Male contacts	Order No	Female contacts	Order No	Male contacts	Order No	Female contacts	Order No
0.14-0.37mm <sup>2</sup>	AWG 26-22	8 mm	CDGM -0.37	60 510 101 037	CDGF -0.37	60 510 102 037	CDGM -0.37	60 510 103 037	CDGF -0.37	60 510 104 037
0.5mm <sup>2</sup>	AWG 20	8 mm	CDGM -0.5	60 510 101 050	CDGF -0.5	60 510 102 050	CDGM -0.5	60 510 103 050	CDGF -0.5	60 510 104 050
0.75mm <sup>2</sup>	AWG 18	8 mm	CDGM -0.75	60 510 101 075	CDGF -0.75	60 510 102 075	CDGM -0.75	60 510 103 075	CDGF -0.75	60 510 104 075
1.0mm <sup>2</sup>	AWG 18	8 mm	CDGM -1.0	60 510 101 100	CDGF -1.0	60 510 102 100	CDGM -1.0	60 510 103 100	CDGF -1.0	60 510 104 100
1.5mm <sup>2</sup>	AWG 16	8 mm	CDGM -1.5	60 510 101 150	CDGF -1.5	60 510 102 150	CDGM -1.5	60 510 103 150	CDGF -1.5	60 510 104 150
2.5mm <sup>2</sup>	AWG 14	8 mm	CDGM -2.5	60 510 101 250	CDGF -2.5	60 510 102 250	CDGM -2.5	60 510 103 250	CDGF -2.5	60 510 104 250

## (16A)/CEGM/CEGF

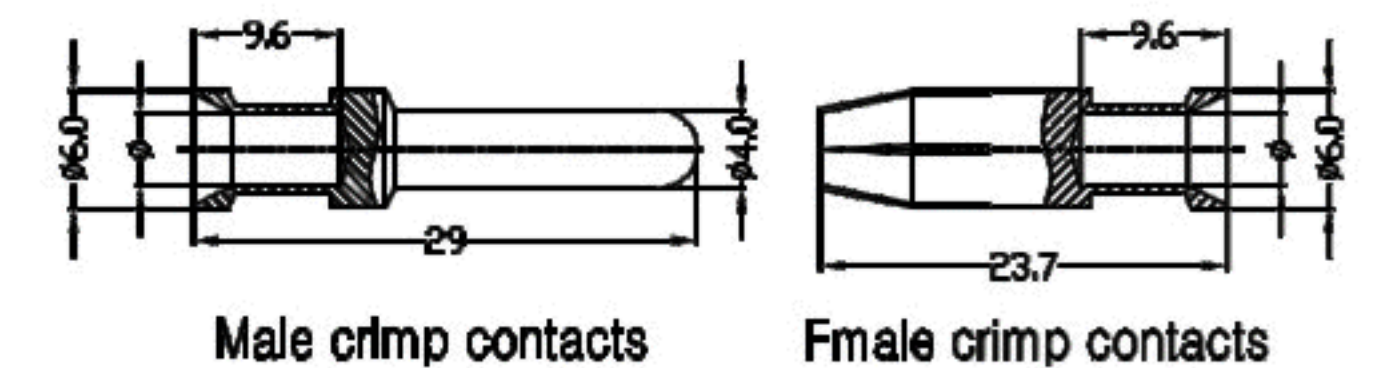
Material:copper alloy Surface: Gold plated/Silver plated  
 Contact resistance: ≤ 1mΩ Terminal:Crimp connection



16A Crimp contacts			Contacts, Gold-plated				Contacts, Silver-plated			
Wire gauge		Stripping length	Male contacts	Order No	Female contacts	Order No	Male contacts	Order No	Female contacts	Order No
0.14-0.37mm <sup>2</sup>	AWG 26-22	7.50 mm	CEGM -0.37	60 516 161 037	CEGF -0.37	60 516 162 037	CEGM -0.37	60 516 163 037	CEGF -0.37	60 516 164 037
0.5mm <sup>2</sup>	AWG 20	7.50 mm	CEGM -0.5	60 516 161 050	CEGF -0.5	60 516 162 050	CEGM -0.5	60 516 163 050	CEGF -0.5	60 516 164 050
0.75mm <sup>2</sup>	AWG 18	7.50 mm	CEGM -0.75	60 516 161 075	CEGF -0.75	60 516 162 075	CEGM -0.75	60 516 163 075	CEGF -0.75	60 516 164 075
1.0mm <sup>2</sup>	AWG 18	7.50 mm	CEGM -1.0	60 516 161 100	CEGF -1.0	60 516 162 100	CEGM -1.0	60 516 163 100	CEGF -1.0	60 516 164 100
1.5mm <sup>2</sup>	AWG 16	7.50 mm	CEGM -1.5	60 516 161 150	CEGF -1.5	60 516 162 150	CEGM -1.5	60 516 163 150	CEGF -1.5	60 516 164 150
2.5mm <sup>2</sup>	AWG 14	7.50 mm	CEGM -2.5	60 516 161 250	CEGF -2.5	60 516 162 250	CEGM -2.5	60 516 163 250	CEGF -2.5	60 516 164 250
3.0mm <sup>2</sup>	AWG 12	7.50 mm	CEGM -3.0	60 516 161 300	CEGF -3.0	60 516 162 300	CEGM -3.0	60 516 163 300	CEGF -3.0	60 516 164 300
4.0mm <sup>2</sup>	AWG 12	7.50 mm	CEGM -4.0	60 516 161 400	CEGF -4.0	60 516 162 400	CEGM -4.0	60 516 163 400	CEGF -4.0	60 516 164 400

## (40A)/CCGM/CCGF

Material:copper alloy Surface: Gold plated/Silver plated  
 Contact resistance: ≤ 0.3mΩ Terminal:Crimp connection



40A Crimp contacts			Contacts, Gold-plated				Contacts, Silver-plated			
Wire gauge		Stripping length	Male contacts	Order No	Female contacts	Order No	Male contacts	Order No	Female contacts	Order No
1.5mm <sup>2</sup>	AWG 16	8 mm	CCGM -1.5	60 540 401 015	CCGF -1.5	60 540 402 015	CCGM -1.5	60 540 403 015	CCGF -1.5	60 540 404 015
2.5mm <sup>2</sup>	AWG 14	8 mm	CCGM -2.5	60 540 401 025	CCGF -2.5	60 540 402 025	CCGM -2.5	60 540 403 025	CCGF -2.5	60 540 404 025
4.0mm <sup>2</sup>	AWG 12	8 mm	CCGM -4.0	60 540 401 040	CCGF -4.0	60 540 402 040	CCGM -4.0	60 540 403 040	CCGF -4.0	60 540 404 040
6.0mm <sup>2</sup>	AWG 10	8 mm	CCGM -6.0	60 540 401 060	CCGF -6.0	60 540 402 060	CCGM -6.0	60 540 403 060	CCGF -6.0	60 540 404 060
10.0mm <sup>2</sup>	AWG 8	8 mm	CCGM -10	60 540 401 100	CCGF -10	60 540 402 100	CCGM -10	60 540 403 100	CCGF -10	60 540 404 100

## Crimp contacts Tools



Crimping tool  
HZW(0.14-4mm)

Order NO.

60 510 014 004



HD,HDD,HM  
HD,HDD,HM  
Removal tool

Order NO.

60 510 010 000



HEE,HQ,HM  
HEE,HQ,HM  
Removal tool

Order NO.

60 516 016 000